



PHASE SEQUENCE AND PHASE FAILURE RELAY PF-002

CHARACTERISTICS

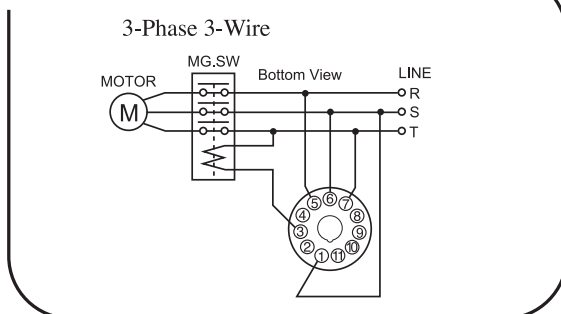
- Only operational with correct power source voltage and phase sequence
- Suitable for main power source and motor starter circuit to prevent damage from insufficient phase or phase reversal
- Out-of-phase detection while the motor operating



SPECIFICATIONS

Operating voltage	AC(V) : 110, 220, 240, 380, 415, 440
Allowable operating voltage range	85~110% of rated operating voltage
Rated frequency	50 / 60 Hz
Contact rating	250VAC 5A (resistive load)
Power consumption	Approx. 2VA
Life	Mechanical: 5,000,000 times Electrical: 100,000 times
Ambient temperature	-10 ~ +50 °C
Ambient humidity	MAX 85%RH

CONNECTION DIAGRAM



TIMING CHART

