

Two separate contacts

A tripping device and an OFF position are provided.

The operation sequences are:
A→OFF→A and B→OFF→B, or
A→OFF→B and B→OFF→A



Safety design

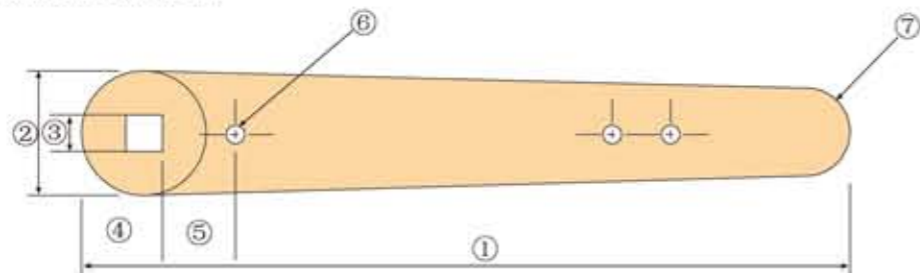
Dustproof resin protective cover for safe operation

Tripping characteristic

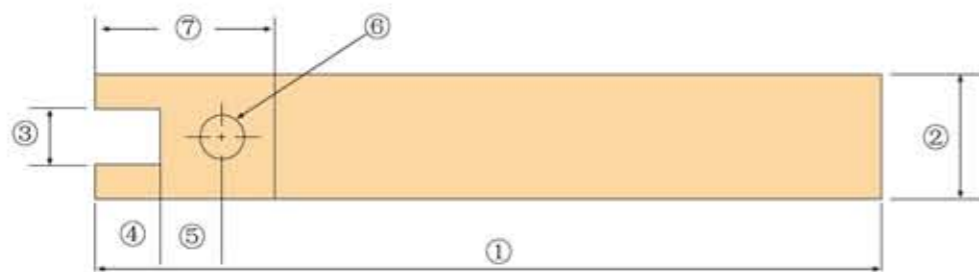
Based on the operating voltage, a constant tripping function is enabled by the spring.

Operating handle

Refer to applications and options for details.



	①	②	③	④	⑤	⑥	⑦	T
63A~500A	210	34	10	22	20	Φ5(3)	Φ24	6(7)



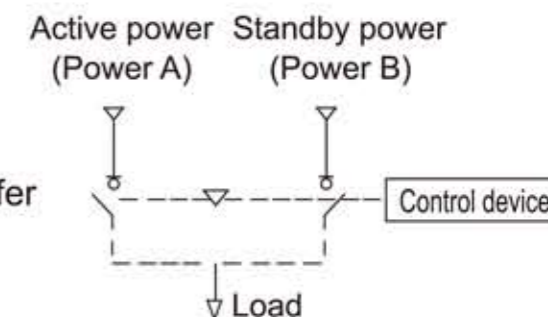
	①	②	③	④	⑤	⑥	⑦	t
600A~1600A	250	38(40)	16.1	20	15	φ8	41	6(8)
2000A 3000A	320	50(52)	19.1	25	15	φ8	50	9(11)
4000A 5000A	420	50(52)	19.1	25	15	φ8	50	9(11)

W 2C Series Dual-power Automatic Transfer Switches (ATSE)

I. W2C series dual-power automatic transfer switches

To meet the needs of our customers, we have recently released the W2C economic and practical PC-level two-stage automatic transfer switches. These single-pole double-throw switches have independent electromagnetic operation that features rapid transfer, compact structure and reliability.

System diagram



Application scope: Normal-emergent transfer

Product codes and meanings

