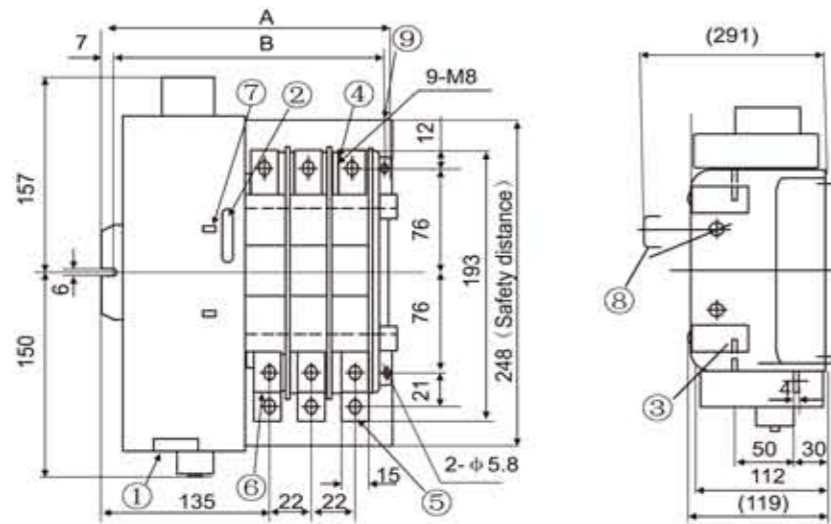


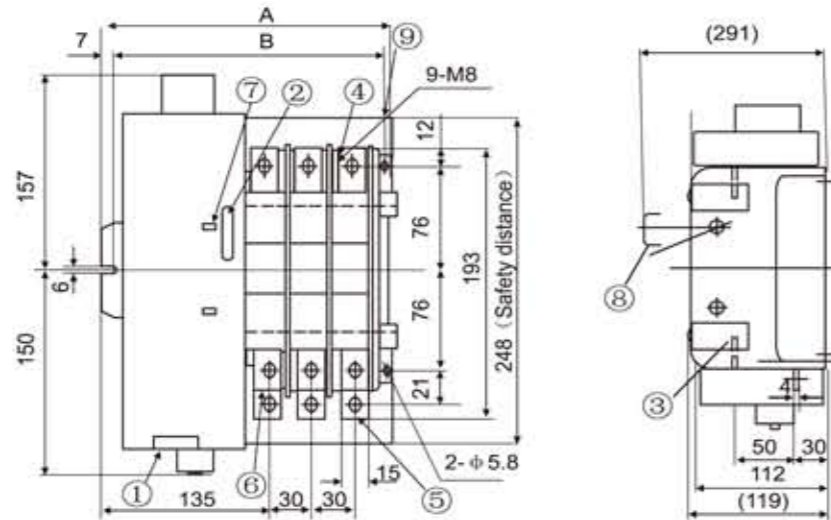
III. Outer dimensions

1 W-S1.63



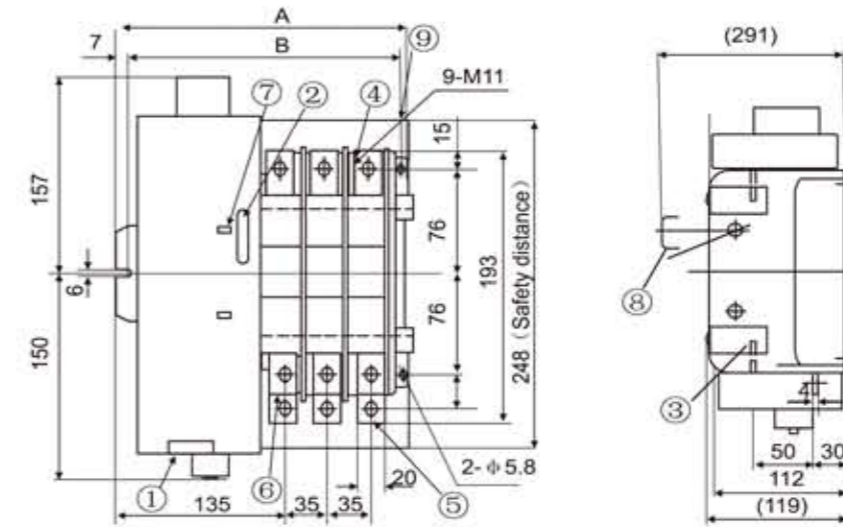
/	A	B
2P	189	170
3P	211	192
4P	233	214

2 W-S1/125



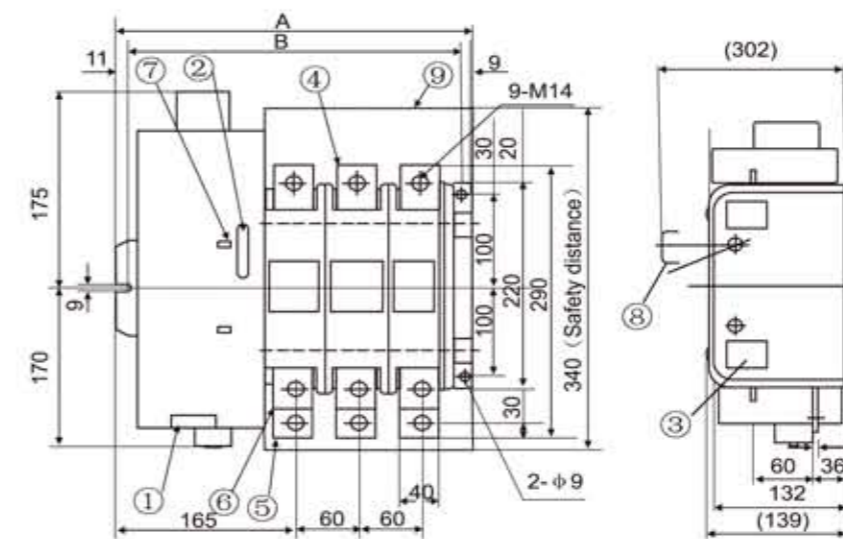
/	A	B
2P	205	186
3P	235	216
4P	265	246

3 W-S1.250



/	A	B
2P	215	196
3P	250	231
4P	285	266

4 W-S1.500



/	A	B
2P	282	258
3P	342	318
4P	402	378

Component names:

- ① Control circuit wiring terminal
- ② Operating handle socket
- ③ Auxiliary switch
- ④ Main circuit terminal on A power side
- ⑤ Main circuit terminal on load side
- ⑥ Main circuit terminal on B power side
- ⑦ ON/OFF indicator
- ⑧ Operating handle (flexible)