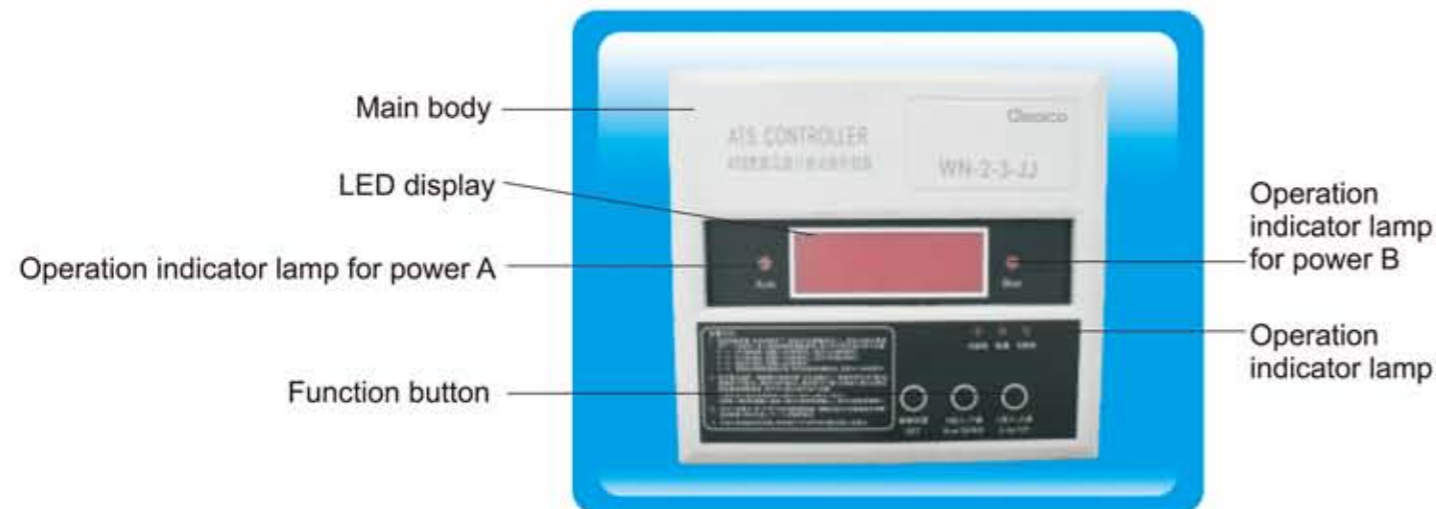
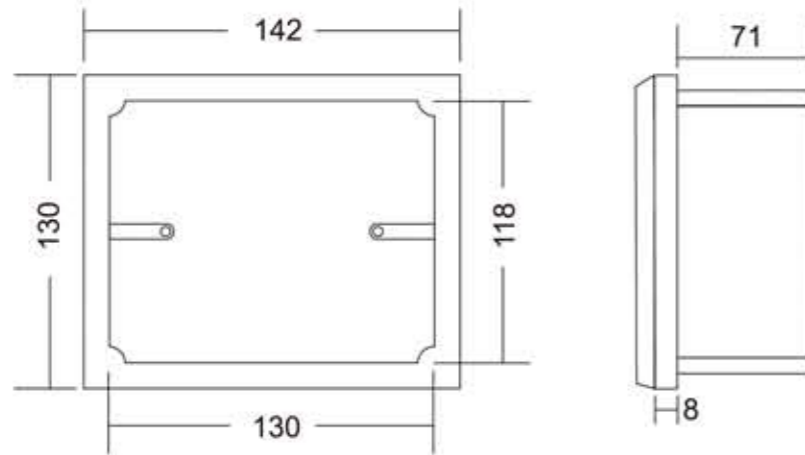


W-2-3-JJ Controller (Concise)

W-2-3-JJ Controller (Concise)

The W-2-3-JJ controller (concise) is a concise intelligent control device matching the W automatic transfer switch series (abbreviated as switches below). It has a delay function, open phase protection, power indication, remote clearing, and automatic generator startup.

Installation Dimensions



W-S Series Manual Dual-power Transfer Switches

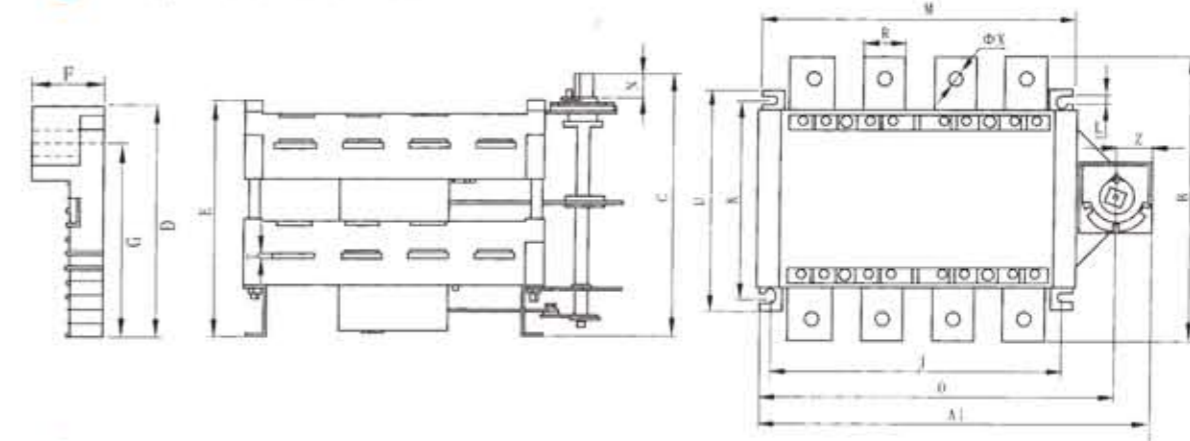
I. Functions and characteristics

The W-S series are mainly used in transfer control via manual switches in power supply systems. Feedback points for gear signals are provided as needed.



II. Outer dimensions and installation dimensions

● W-S/100、250、630



● W-S/1600

