

W Series Dual-power Automatic Transfer Switches

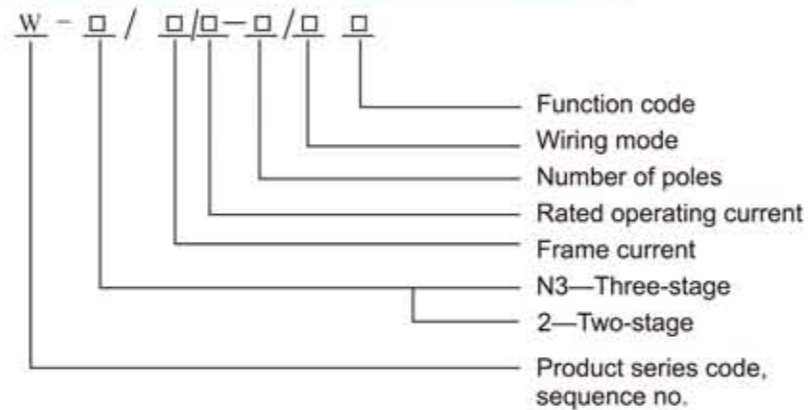
W Series Dual-power Automatic Transfer Switches

The W Series belong to the PC level, and include the types of W2 and W-N3.

W-2 is a two-stage automatic transfer switch. After a switching signal is received the switch transfers power immediately from one source to the other without stopping at an OFF position in the middle. The rated current is 20A~500A.

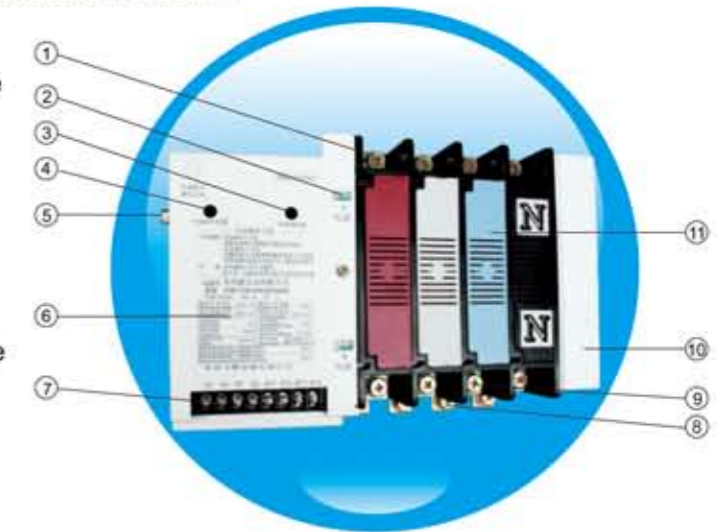
The W-N3 is a three-stage automatic transfer switch. After a switching signal is received the switch may transfer from one power source to another immediately, or after a preset delay, or stop at an OFF position in the middle. The rated current is 20A~5000A.

I. Product codes and meaning



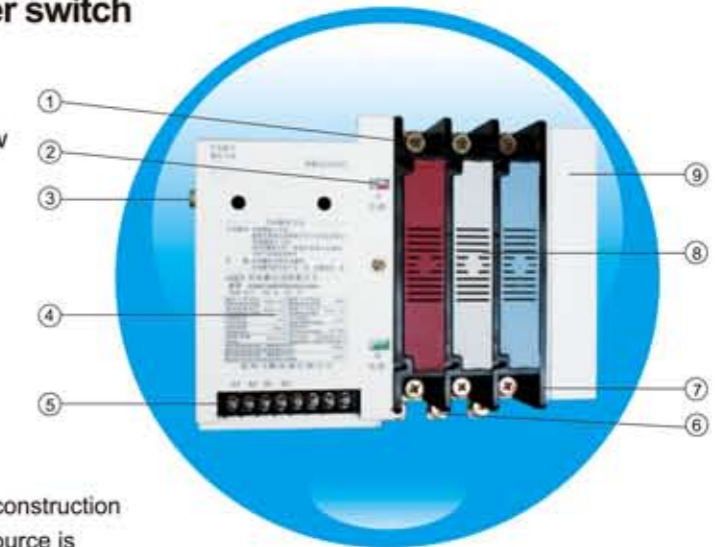
W-N3 three-stage automatic transfer switch (20-5000A)

1. Main circuit terminal on A power side
2. Power connection/break indicator window
3. Selection button
4. Release button
5. Square shaft for manual operation
6. Name plate
7. Control power terminal
8. Main circuit terminal on load side
9. Main circuit terminal on B power side
10. Auxiliary contact cover
11. Protective cover



W-2 two-stage automatic transfer switch (20-500A)

1. Main circuit terminal on A power side
2. Power connection/break indicator window
3. Square shaft for manual operation
4. Name plate
5. Control power terminal
6. Main circuit terminal on load side
7. Main circuit terminal on B power side
8. Protective cover
9. Auxiliary contact cover



Characteristics of ATS switches:

Reliable mechanical interlock: Special eccentric selection construction to ensure only one power source is connected.

High arc-quenching performance: Extinguishes abnormal electrical arcing, short duration of electric arcing and low contact loss.

Multi-disc main arc contract: Enhances the contact area and pressure of contact surfaces, eliminating overheating and contact welding and extending contact lifespan.

High transfer speed: Rapid transfer between the active power and standby power, allowing a customized transfer delay for an ATS with a controller.

Simple construction and small volume: Have reliable operation, a low failure rate and are convenient to install and maintain. Allow rotation with a handle during repair for convenient error detection and troubleshooting. The ATS of the W series are at PC level, are smaller than those of CB level, but have a higher current rating.