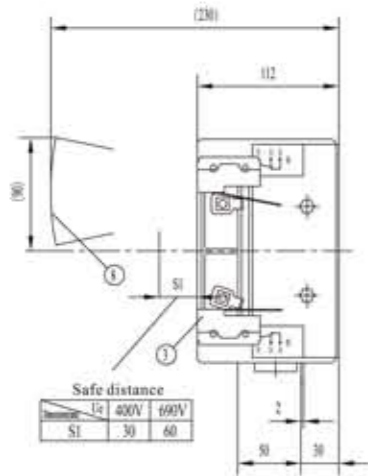
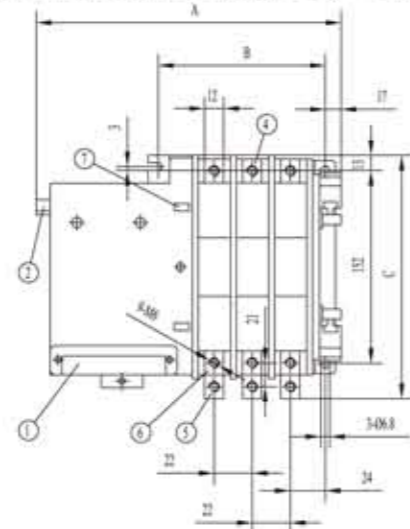


IV. Outer dimensions and installation dimensions

1) W-N3 20~63A
W-2 20~63A



Safe board distance
S1 dimension: 30mm(400V), 60mm(690V)



W-2 Table 4

	A	B	C
2P	182	88	193
3P	204	110	
4P	226	132	

W-N3 Table 5

	A	B	C
2P	202	88	196
3P	224	110	
4P	246	132	

Note: Refer to Table 4 and 5 for the dimensions of A, B and C in the above figure.

2) W-N3 80~125A
W-2 80~125A

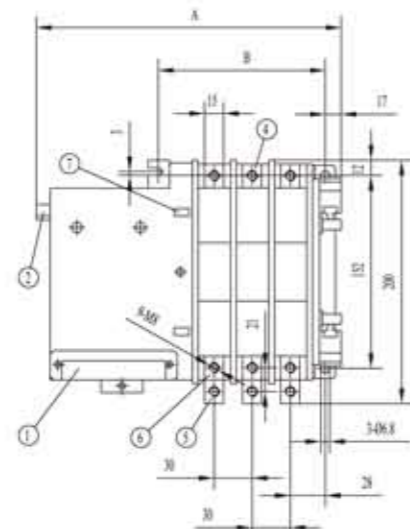
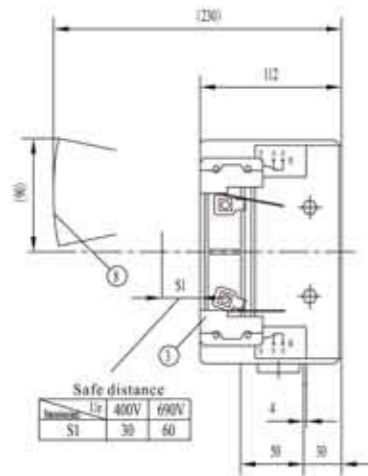


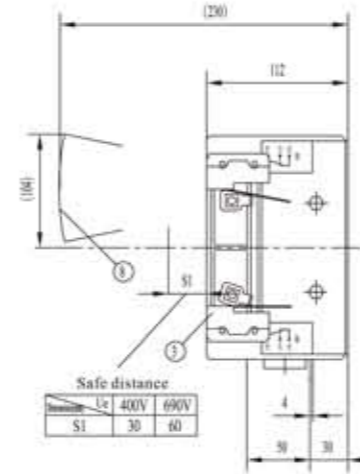
Table 6

	A	B
2P	218	103
3P	248	133
4P	278	163

Note: Refer to Table 6 for the dimensions of A and B in the above figure.

Note: The installation dimensions and outer dimensions in the illustrations are subject to change without notice. Please check them with the actual product before installation.

3) W-N3 160~250A
W-2 160~250A



Safe board distance
S1 dimension: 30mm(400V),60mm(690V)

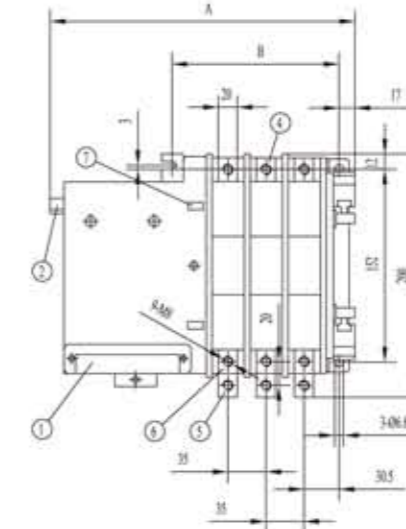
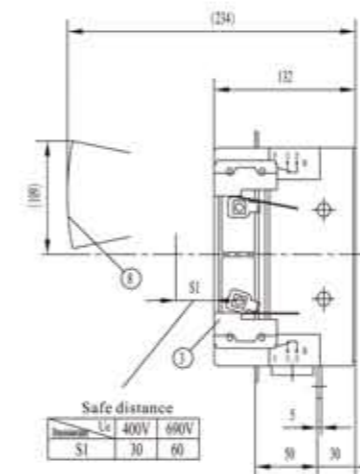


Table 7

	A	B
2P	228	113
3P	263	148
4P	298	183

Note: Refer to Table 7 for the dimensions of A and B in the above figure.

4) W-N3 350~500A
W-2 350~500A



Safe board distance
S1 dimension: 30mm(400V),60mm(690V)

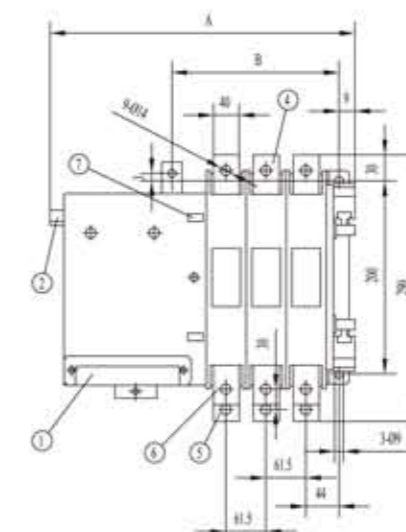


Table 8

	A	B
2P	287	167
3P	350	230
4P	410	290

Note: Refer to Table 8 for the dimensions of A and B in the above figure.

- ① Control circuit wiring terminal
- ② Square shaft for manual operation
- ③ Auxiliary contact
- ④ Main circuit terminal on active side
- ⑤ Main circuit terminal on load side
- ⑥ Main circuit terminal on standby side
- ⑦ ON/OFF indicator
- ⑧ Rotation range of operating handle