

TYPE BH (For Panel) **CE** APPROVAL



TYPE		BH			BHQ		
Photo							
Number of poles (P)		1	2	3	1	2	3
 ( mm )	a	25	50	75	25	50	75
	b	95					
	c	58.5					
	ca	77.5					
	bb	100					
	aa	0	25	50	0	25	50
Rated voltage ( VAC )		110/220 ※	220		110/220 ※	220	
Ampere rating (A) at ambient temp. 40°C		5, 10, 15, 20, 30, 40, 50	10, 15, 20, 30, 40, 50, 60, 75, 100		5, 10, 15, 20, 30, 40, 50	10, 15, 20, 30, 40, 50, 60, 75, 100	
AC Interrupting Capacity (KA)		110V 220V	5	—	10	—	
Weight ( Kg )		0.15	0.31	0.46	0.15	0.31	0.46

※For 1 φ 3W ( 220V btw. wires and 110V btw. wire and ground ) connection.

TYPE		BHP			BPQ		
Photo							
Number of poles (P)		1	2	3	1	2	3
 ( mm )	a	25	50	75	25	50	75
	b	74			74		
	c	60.5			60.5		
	ca	77.5			77.5		
	bb	—			—		
	aa	0	25	50	0	25	50
Rated voltage ( VAC )		110/220 ※	220		110/220 ※	220	
Ampere rating (A) at ambient temp. 40°C		5, 10, 15, 20, 30, 40, 50	10, 15, 20, 30, 40, 50, 60, 75, 100, 5		15, 20, 30, 40, 50	15, 20, 30, 40, 50, 60, 75, 100,	
AC Interrupting Capacity (KA)		110V 220V	5	—	10	—	
Weight ( Kg )		0.13	0.26	0.39	0.13	0.26	0.39

※For 1 φ 3W ( 220V btw. wires and 110V btw. wire and ground ) connection.

# SPECIFICATIONS



## C Series

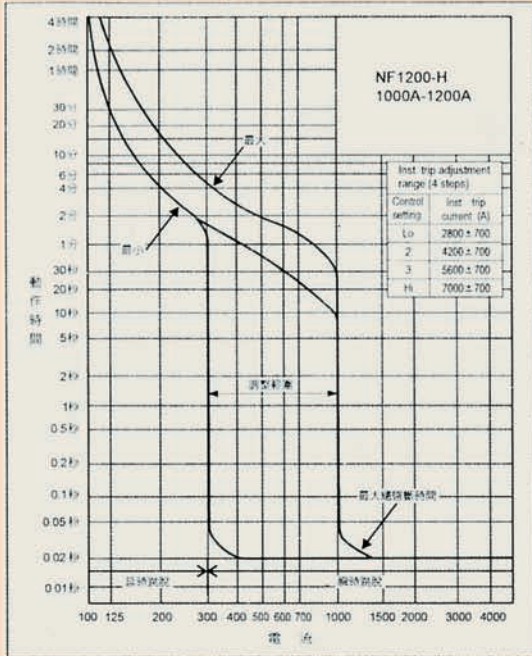
Frame(A) Type		30 NF30-CB	50 NF50-CS	60 NF60-CS	100 NF100-CS		
Photo							
Ampere rating (A) at ambient temperature 40°C (marine use: 45°C)		10, 15, 20, 30	10, 15, 20, 30, 40, 50	60	(50), 60, 75, 100		
Number of poles		2   3	2   3	2   3	2   3		
Rated voltage (V)		AC 250 DC -	AC 600 DC 250	AC 600 DC 250	AC 600 DC 250		
Interrupting capacity (kA)	IEC (IEC 157-1) (BS4752-1) P1/P2	AC	500V	2.5/1	2.5/1	7.5/5	
			415V	2.5/1.5	2.5/1.5	10/7.5	
			380V	5/2.5	5/2.5	18/10	
		DC	240V	2.5	5/5	5/5	25/20
			250V	-	2.5	2.5	2.5
			550V	-	1.5	1.5	7.5
	JIS	AC	460V	2.5	2.5	10	
			220V	2.5	5	25	
		DC	250V	-	2.5	2.5	7.5
	NK, LR, BV, AB, GL	AC	500V	-	2.5	2.5	
			250V	2.5	5	25	
		DC	250V	-	2.5	2.5	7.5
Dimensions			a	45   67.5	50   75	50   75	60   90
			b	96	130	130	155
			c	52	68	68	68
			ca	67	86	86	86
			Connection			Clamp terminal	Terminal screw

## C Series

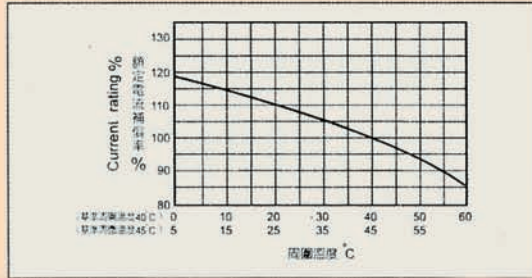
Frame(A) Type		250 NF250-CS	400 NF400-CS	630 NF630-CS	800 NF800-CS ETR	
Photo						
Ampere rating (A) at ambient temperature 40°C (marine use: 45°C)		125, 150, 175, 200, 225, 250	250, 300, 350, 400	500, 600, 630	600-700-800	
Number of poles		2   3	2   3	3	3	
Rated voltage (V)		AC 600 DC 250	AC 600 DC 250	AC 600 DC 200	AC 600 DC -	
Interrupting capacity (kA)	IEC (IEC 157-1) (BS4752-1) P1/P2	AC	500V	10/7.5	15/10	18/10
			415V	15/10	25/18	35/25
			380V	18/10	25/18	35/25
		DC	240V	25/20	35/25	50/35
			250V	10	20	20
			550V	10	15	18
	JIS	AC	460V	15	25	35
			220V	25	35	50
		DC	250V	10	20	20
	NK, LR, BV, AB, GL	AC	500V	15	25	30
			250V	25	35	50
		DC	250V	10	-	-
Dimensions			a	105	140	210
			b	165	257	275
			c	86	103	103
			ca	110	132	155
			Connection		Terminal screw	Busbar



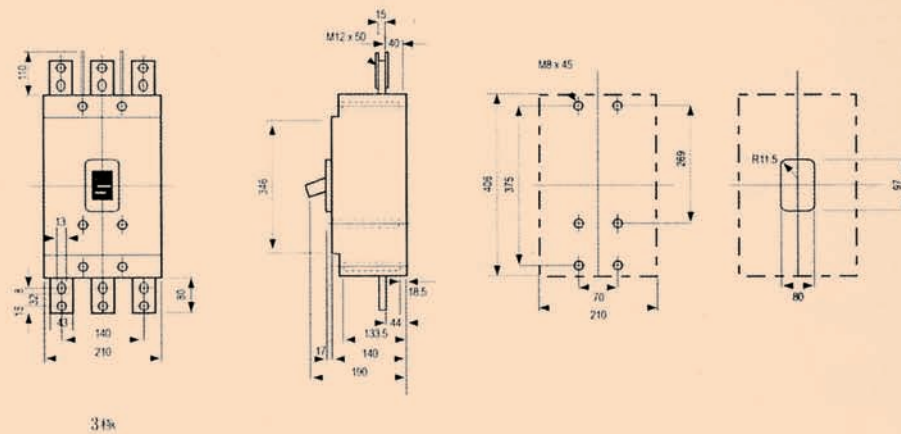
◆動作特性曲線 Operating Characteristics



◆周圍溫度補償曲線 Ambient Compensation



◆外型尺寸圖 Dimensions



TYPE

NF1200-H型



◆ NF 型無熔線斷路器 MCCB Series

極限容量 (AF)	1200	1200
型 式	NF 1200-H	NF 1200-H
額定電流 (A) (基準周圍溫度40°C)	1000	1200
極 數 (P)	3	3
最高使用電壓 (V)	交流 AC	600
額定斷路容量 IC XA	600V	40/35
	440V	60/50
非對稱 / 對稱 ASYM / SYM	380V	60/50
	220V	120/100
製品重量 (kg)	25	25
過電流跳脫方式	熱動可調電磁式	



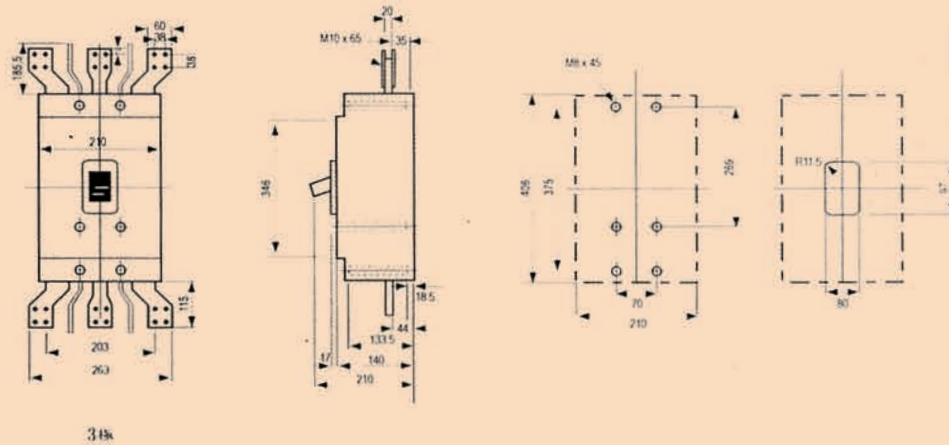
TYPE  
NF1600-H型



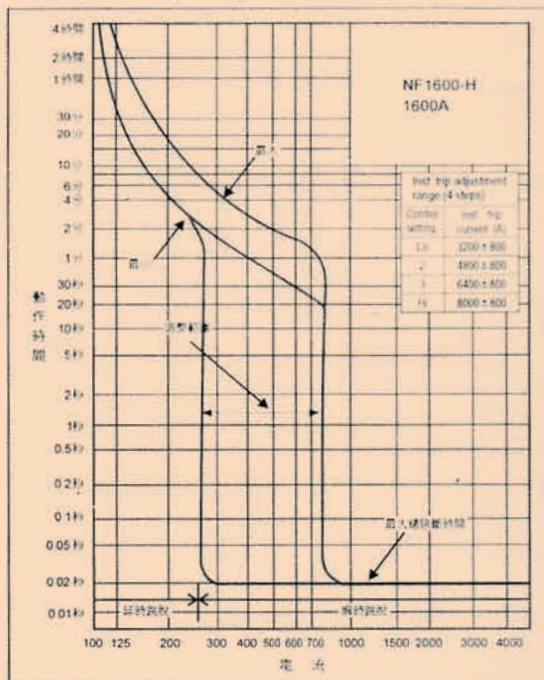
◆ NF 型無熔線斷路器 MCCB Series

框架容量 (AF)	1600	
型 式	NF 1600-H	
額定電流 (A) (基準周圍溫度40°C)	1600	
極 數 (P)	3	
最高使用電壓 (V)	交流 AC	600
額定斷斷容量 IC KA	600V	40/35
	440V	60/50
非對稱 / 對稱 ASYM / SYM	380V	60/50
	220V	120/100
製品重量 (Kg)	31.5	
過電流跳脫方式	熱動可調電磁式	

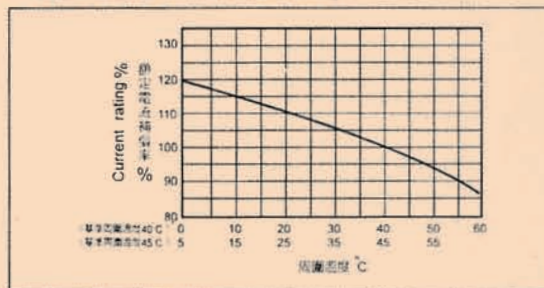
◆ 外型尺寸圖 Dimensions







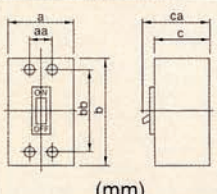
◆ 動作特性曲線 Operating Characteristics




◆ 周圍溫度補償曲線 Ambient Compensation





FRAME SIZE(A)	50	50	50	50	
TYPE	NF50-GP	NF50-GP	NF50-MA	NF50-MA	
PHOTO					
Ampere rating(A)at ambient temp.40°C	10. 15. 20. 30. 40. 50				
Number of pole(P)	2	3	2	3	
Rated voltage(V)A.C	690V				
 (mm)	a	50	75	50	75
	b	130	130	130	130
	c	68	68	68	68
	ca	90	90	90	90
	bb	110	110	110	110
	aa	—	25	—	25
	Weight(Kg)	0.5	0.6	0.6	0.7
<b>AC Interrupting Capacity(I.C)</b>					
CNS (asym/sym)KA	AC 600V	1.5		7.5	
	AC 440V	3		10	
	AC 380V	3		16/15	
	AC 220V	5		30/25	
	DC 250V	2.5		5	
IEC Icu/Ics (sym)KA	AC 690V	1.5/1		5/2.5	
	AC 500V	2.5/1.5		7.5/3.8	
	AC 440V	3/1.5		10/5	
	AC 400V	3/1.5		10/5	
	AC 230V	5/3		25/13	




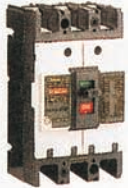
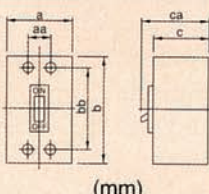
### Standard Features

connection	Terminal screw
	
Automatic tripping device	Hydraulic-magnetic
Trip button	Equipped


### Optional Accessories

Undervoltage trip	<input type="radio"/>	<input type="radio"/>	<input type="radio"/>	<input type="radio"/>
Shunt trip	<input type="radio"/>	<input type="radio"/>	<input type="radio"/>	<input type="radio"/>
Auxiliary switch	<input type="radio"/>	<input type="radio"/>	<input type="radio"/>	<input type="radio"/>
Alarm switch	<input type="radio"/>	<input type="radio"/>	<input type="radio"/>	<input type="radio"/>



FRAME SIZE(A)	100	100	100	100
TYPE	NF100-GP	NF100-GP	NF100-MA	NF100-HA
PHOTO				
Ampere rating(A) at ambient temp.40°C	60. 75. 100.		10.15.20.30.40.50.60.75.100.	
Number of pole(P)	2	3	3	
Rated voltage(V)A.C	690V			
 (mm)	a	60	90	90
	b	155		155
	c	68		68
	ca	90		90
	bb	132		132
	aa	—	30	30
	Weight(Kg)	1.0	1.6	1.8
<b>AC Interrupting Capacity(I.C)</b>				
CNS (asym/sym)KA	AC 600V	7.5	12/10	35/30
	AC 440V	10	25/22	60/50
	AC 380V	16/15	35/30	60/50
	AC 220V	30/25	60/50	100/85
	DC 250V	5	10	10
IEC Icu/Ics (sym)KA	AC 690V	5/2.5	10/5	10/5
	AC 500V	7.5/3.8	15/8	40/20
	AC 440V	10/5	25/13	50/25
	AC 400V	10/5	30/15	50/25
	AC 230V	25/13	50/25	85/43





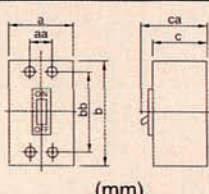
### Standard Features

connection	Terminal screw
	
Automatic tripping device	Thermal, magnetic
Trip button	Equipped


### Optional Accessories

Undervoltage trip	<input type="radio"/>	<input type="radio"/>	<input type="radio"/>	<input type="radio"/>
Shunt trip	<input type="radio"/>	<input type="radio"/>	<input type="radio"/>	<input type="radio"/>
Auxiliary switch	<input type="radio"/>	<input type="radio"/>	<input type="radio"/>	<input type="radio"/>
Alarm switch	<input type="radio"/>	<input type="radio"/>	<input type="radio"/>	<input type="radio"/>



FRAME SIZE(A)	250		250	250
TYPE	NF250-GP		NF250-MA	NF250-HA
PHOTO				
Ampere rating(A)at ambient temp.40°C	125. 150. 175. 200. 225. 250.			
Number of pole(P)	2	3	3	3
Rated voltage(V)A.C	690V			
 (mm)	a	105		
	b	165		
	c	69		
	ca	91		
	bb	126		
	aa	35		
Weight(Kg)	1.6	1.8	2.0	
AC Interrupting Capacity(I.C)				
CNS (asym/sym)KA	AC 600V	5	12/10	35/30
	AC 440V	10	25/22	60/50
	AC 380V	20/18	35/30	60/50
	AC 220V	30/25	60/50	100/85
	DC 250V	5	10	10
IEC Icu/Ics (sym)KA	AC 690V	5/2.5	10/5	10/5
	AC 500V	7.5/3.8	15/8	40/20
	AC 440V	10/5	25/13	50/25
	AC 400V	18/9	30/15	50/25
	AC 230V	25/13	50/25	85/43





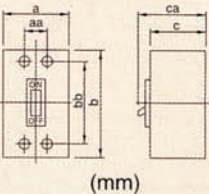
### Standard Features

connection	Clamp terminal
	
Automatic tripping device	Thermal, magnetic
Trip button	Equipped


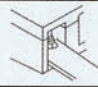
### Optional Accessories

Undervoltage trip	<input type="radio"/>	<input type="radio"/>	<input type="radio"/>	<input type="radio"/>
Shunt trip	<input type="radio"/>	<input type="radio"/>	<input type="radio"/>	<input type="radio"/>
Auxiliary switch	<input type="radio"/>	<input type="radio"/>	<input type="radio"/>	<input type="radio"/>
Alarm switch	<input type="radio"/>	<input type="radio"/>	<input type="radio"/>	<input type="radio"/>



FRAME SIZE(A)	400	400	630	630	
TYPE	NF400-GP	NF400-HA	NF630-GP	NF630-HA	
PHOTO					
Ampere rating(A)at ambient temp.40°C	250. 300. 350. 400.		500. 600. 630.		
Number of pole(P)	3	3	3	3	
Rated voltage(V)A.C	690V				
 (mm)	a	140		210	
	b	257		275	
	c	103		103	
	ca	134		149	
	bb	195		243	
	aa	44		70	
Weight(Kg)	6.0		9.0		
AC Interrupting Capacity(I.C)					
CNS (asym/sym)KA	AC 600V	20/18	35/30	25/22	35/30
	AC 440V	30/25	60/50	35/30	60/50
	AC 380V	30/25	60/50	35/30	60/50
	AC 220V	40/35	100/85	50/42	100/85
	DC 250V	10	20	10	40
IEC Icu/Ics (sym)KA	AC 690V	10/5	10/5	10/5	10/5
	AC 500V	22/11	40/20	15/8	40/20
	AC 440V	25/13	50/25	25/13	50/25
	AC 400V	25/13	50/25	30/15	50/25
	AC 230V	35/18	85/43	42/21	85/43




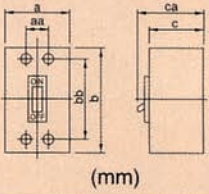
### Standard Features

connection	Busbar	
		
Automatic tripping device	Thermal, magnetic	
Trip button	Equipped	



### Optional Accessories

Undervoltage trip	<input type="radio"/>	<input type="radio"/>	<input type="radio"/>	<input type="radio"/>
Shunt trip	<input type="radio"/>	<input type="radio"/>	<input type="radio"/>	<input type="radio"/>
Auxiliary switch	<input type="radio"/>	<input type="radio"/>	<input type="radio"/>	<input type="radio"/>
Alarm switch	<input type="radio"/>	<input type="radio"/>	<input type="radio"/>	<input type="radio"/>



FRAME SIZE(A)	800	800	1200	
TYPE	NF800-GP	NF800-HA	NF1200-HA	
PHOTO				
Ampere rating(A)at ambient temp.40°C	700. 800.		1000. 1200.	
Number of pole(P)	3	3	3	
Rated voltage(V)A.C	690			
 (mm)	a	210	210	
	b	275	400	
	c	103	105	
	ca	149	158	
	bb	243	360	
	aa	70	70	
	Weight(Kg)	10		21
<b>AC Interrupting Capacity(I.C)</b>				
CNS (asym/sym)KA	AC 600V	25/22	35/30	35/30
	AC 440V	35/30	60/50	60/50
	AC 380V	35/30	60/50	60/50
	AC 220V	50/42	100/85	100/85
	DC 250V	10	40	40
IEC Icu/Ics (sym)KA	AC 690V	10/5	10/5	10/5
	AC 500V	15/8	40/20	40/20
	AC 440V	25/13	50/25	50/25
	AC 400V	30/15	50/25	50/25
	AC 230V	42/21	85/43	85/43

### Standard Features

connection	Busbar	
		
Automatic tripping device	Thermal, magnetic	
Trip button	Equipped	

### Optional Accessories

Undervoltage trip	<input type="radio"/>	<input type="radio"/>	<input type="radio"/>	<input type="radio"/>
Shunt trip	<input type="radio"/>	<input type="radio"/>	<input type="radio"/>	<input type="radio"/>
Auxiliary switch	<input type="radio"/>	<input type="radio"/>	<input type="radio"/>	<input type="radio"/>
Alarm switch	<input type="radio"/>	<input type="radio"/>	<input type="radio"/>	<input type="radio"/>