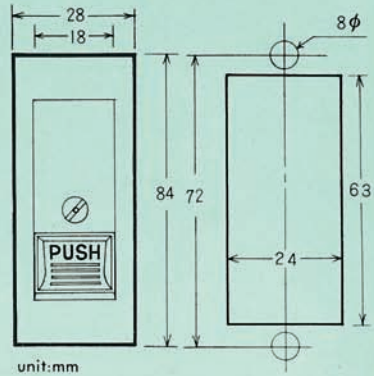




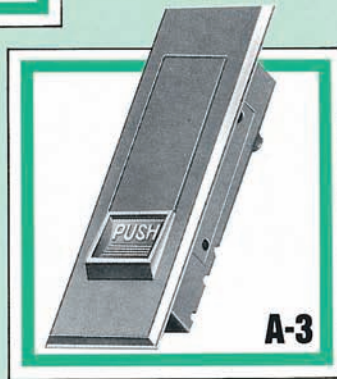
HARDWARE FOR INDUSTRY



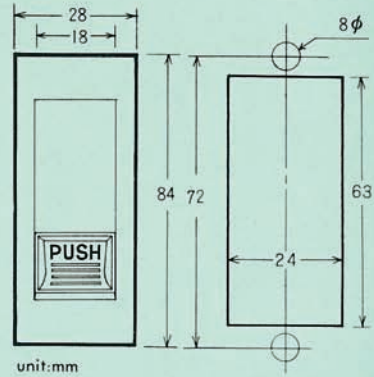
A-1 Key



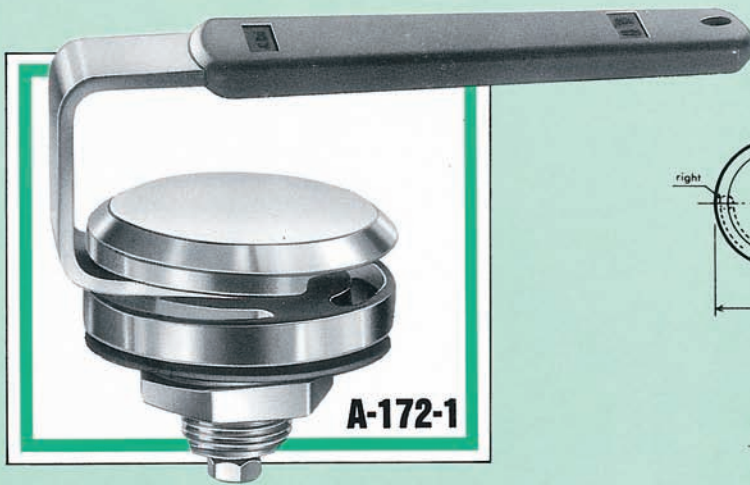
unit:mm



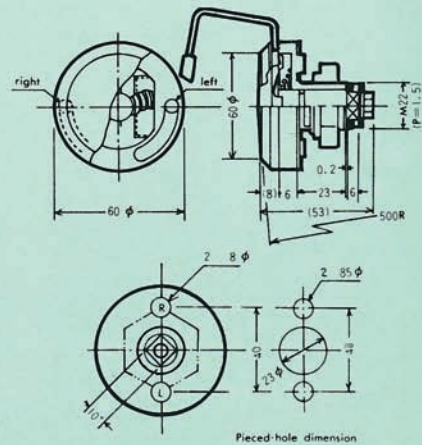
A-3



unit:mm



A-172-1



Pieced-hole dimension