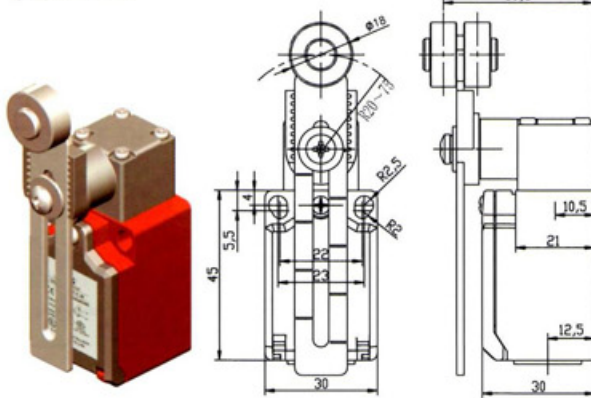


GLOBAL STYLE SAFETY LIMIT SWITCHES (MINI PLASTIC BODIED EN50047 TYPE) SMN4 SERIES (SINGLE CONDUIT ENTRY)

SMN4108



Order Code

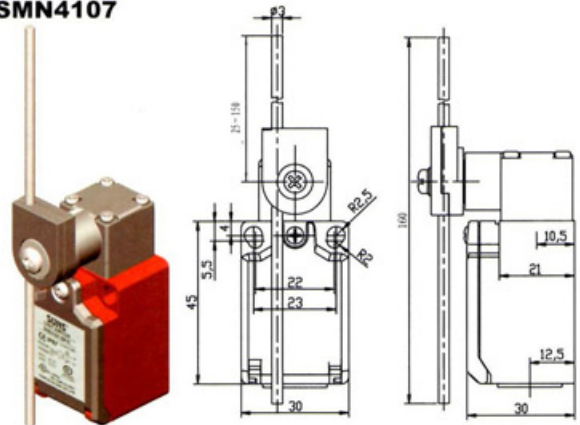
SMN4108-SP- _
SMN4108-SL- _
SMN4108-SL2- _
SMN4108-SL3- _

Contact block

SP snap action
SL slow action
SL2 slow action
SL3 slow action

1NO+1NC
1NO+1NC BBM
2NC
2NO

SMN4107



Order Code

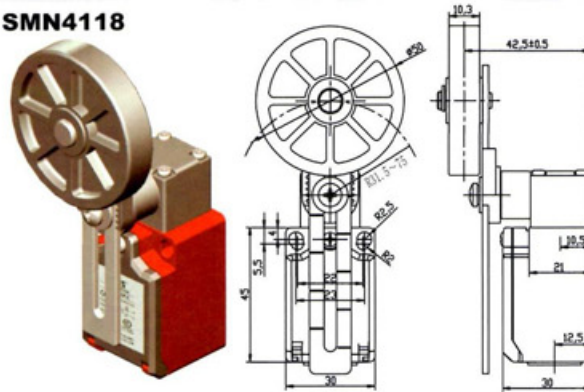
SMN4107-SP- _
SMN4107-SL- _
SMN4107-SL2- _
SMN4107-SL3- _

Contact block

SP snap action
SL slow action
SL2 slow action
SL3 slow action

1NO+1NC
1NO+1NC BBM
2NC
2NO

SMN4118



Order Code

SMN4118-SP- _
SMN4118-SL- _
SMN4118-SL2- _
SMN4118-SL3- _

Contact block

SP snap action
SL slow action
SL2 slow action
SL3 slow action

1NO+1NC
1NO+1NC BBM
2NC
2NO

GLOBAL STYLE SAFETY LIMIT SWITCHES (PLASTIC BODIED EN50047 TYPE) SND4 SERIES (SINGLE CONDUIT ENTRY)

SUNS products as safe and reliable products are being widely used in various mechanical devices.



Features

- Glass fiber reinforced plastic body
- Easily interchangeable contact block
- Galvanically separated contacts
- Screw terminals with self-lifting clamps for easy wiring
- Positive Opening of NC contacts
- 4 x 90° actuator positions
- Cable entry available: M20, PG13.5 and 1/2"NPT
- Conform to EN 50047 standard

Definitions of Operating Characteristics

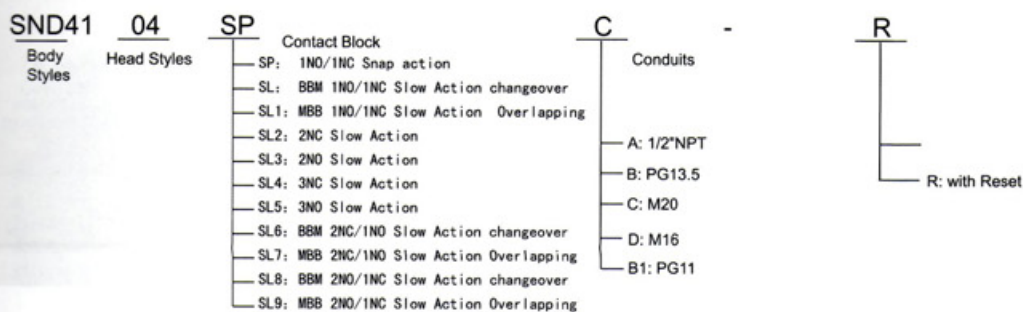
- OF Operating Force
- RF Releasing Force
- OT Overtravel
- TT Total Travel
- PT Pretravel
- MD Movement Differential
- OP Operating Position
- PO Travel to Positive Opening



Specifications

Operating Speed	0.05mm-2m/sec
Operating Frequency	Mechanical: 120ops/min Electrical: 30 ops/min
Insulation Resistance	>100MΩ@500V DC
Contact Resistance	<25mΩ (initial value)
Rated Current/Voltage	10A/600V AC (EN60947-5-1) AC15 A600 / DC13 Q300
Dielectric Strength	1000VAC for 1 min between current carrying parts 2500VAC for 1 min between non-current carrying parts
Service Life	Mechanically 1.0 x 10 ⁷ (operations) Electrically 5 x 10 ⁵ (operations)
Operating Temperature	-25~+80°C (-13~176°F) with no icing
Humidity	< 95%RH
Weight	50-100g
Degree of Protection	IP67

Selection Guide:



GLOBAL STYLE SAFETY LIMIT SWITCHES (PLASTIC BODIED EN50047 TYPE) SND4 SERIES (SINGLE CONDUIT ENTRY)

Available contact blocks and travel diagrams



Plunger type
11,12,31,32 styles

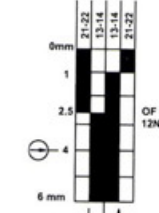
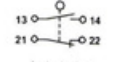
Side rotary type
04, 07, 08, 14, 18 Styles

62, 63 styles

72, 73 styles

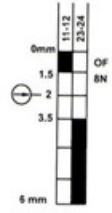
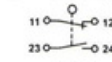
SP

1NO/1NC
Snap Action



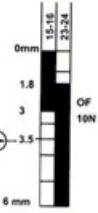
SL

1NO/1NC
Slow Action
(Changeover)



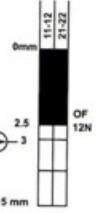
SL1

1NO/1NC
Slow Action
(Overlapping)



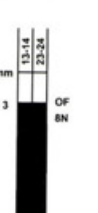
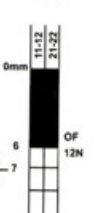
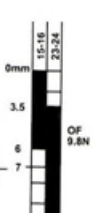
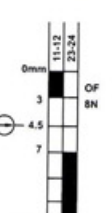
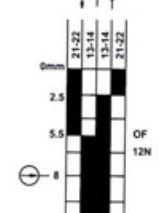
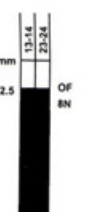
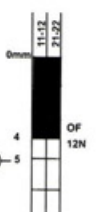
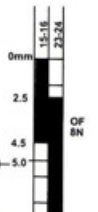
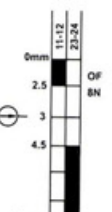
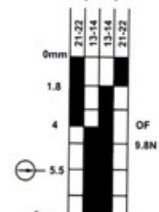
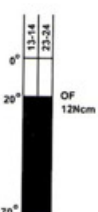
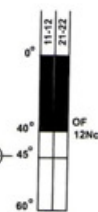
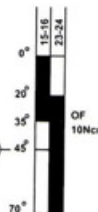
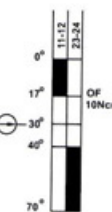
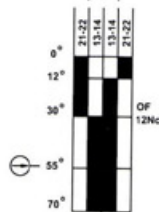
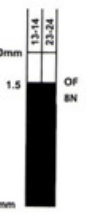
SL2

2NC
Slow Action



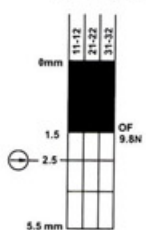
SL3

2NO
Slow Action



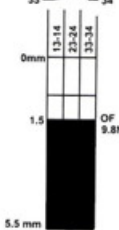
SL4

3NC
Slow Action



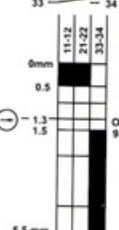
SL5

3NO
Slow Action



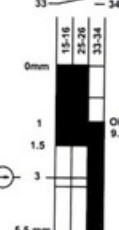
SL6

2NC/1NO
Slow Action
(Changeover)



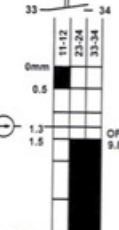
SL7

2NC/1NO
Slow Action
(Overlapping)



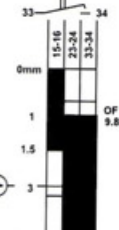
SL8

1NC/2NO
Slow Action
(Changeover)



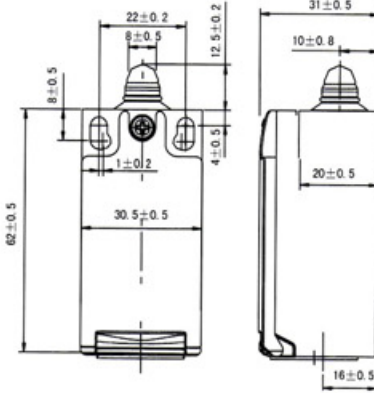
SL9

1NC/2NO
Slow Action
(Overlapping)



GLOBAL STYLE SAFETY LIMIT SWITCHES (PLASTIC BODIED EN50047 TYPE) SND4 SERIES (SINGLE CONDUIT ENTRY)

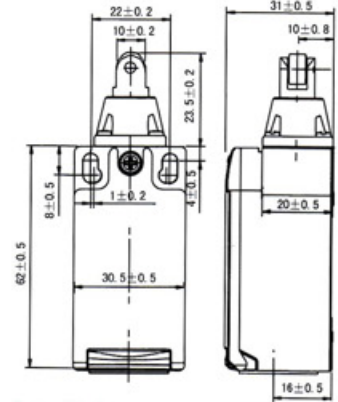
SND4111



Order Code

SND4111-SP-__	SP	→	snap action	1NO+1NC
SND4111-SL-__	SL	→	slow action	1NO+1NC BBM
SND4111-SL1-__	SL1	→	slow action	1NO+1NC MBB
SND4111-SL2-__	SL2	→	slow action	2NC

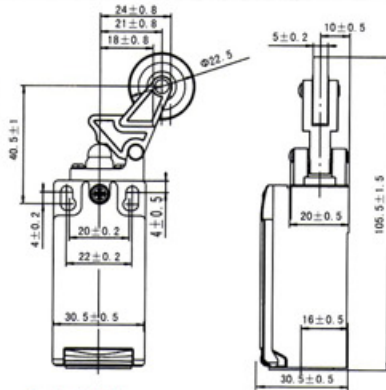
SND4112



Order Code

SND4112-SP-__	SP	→	snap action	1NO+1NC
SND4112-SL-__	SL	→	slow action	1NO+1NC BBM
SND4112-SL1-__	SL1	→	slow action	1NO+1NC MBB
SND4112-SL2-__	SL2	→	slow action	2NC

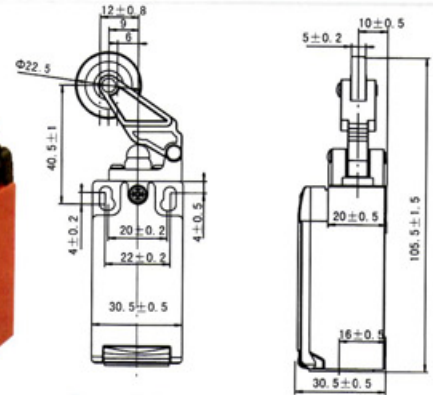
SND4172



Order Code

SND4172-SP-__	SP	→	snap action	1NO+1NC
SND4172-SL-__	SL	→	slow action	1NO+1NC BBM
SND4172-SL1-__	SL1	→	slow action	1NO+1NC MBB
SND4172-SL2-__	SL2	→	slow action	2NC

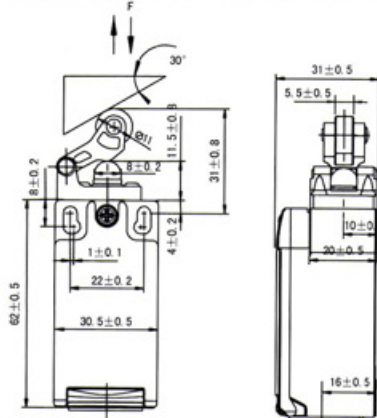
SND4173



Order Code

SND4173-SP-__	SP	→	snap action	1NO+1NC
SND4173-SL-__	SL	→	slow action	1NO+1NC BBM
SND4173-SL1-__	SL1	→	slow action	1NO+1NC MBB
SND4173-SL2-__	SL2	→	slow action	2NC

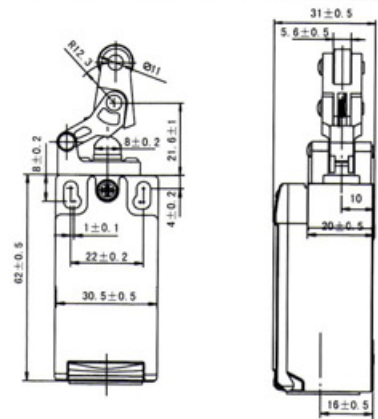
SND4162



Order Code

SND4162-SP-__	SP	→	snap action	1NO+1NC
SND4162-SL-__	SL	→	slow action	1NO+1NC BBM
SND4162-SL1-__	SL1	→	slow action	1NO+1NC MBB
SND4162-SL2-__	SL2	→	slow action	2NC

SND4163



Order Code

SND4163-SP-__	SP	→	snap action	1NO+1NC
SND4163-SL-__	SL	→	slow action	1NO+1NC BBM
SND4163-SL1-__	SL1	→	slow action	1NO+1NC MBB
SND4163-SL2-__	SL2	→	slow action	2NC