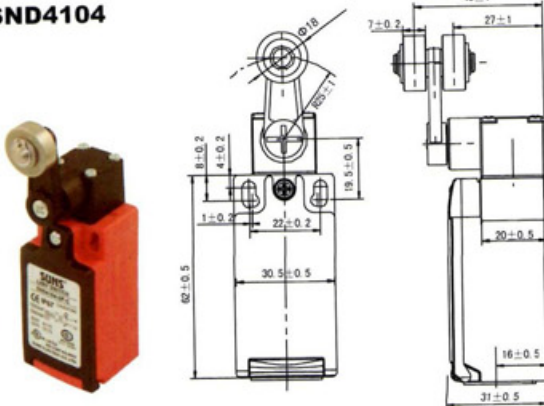


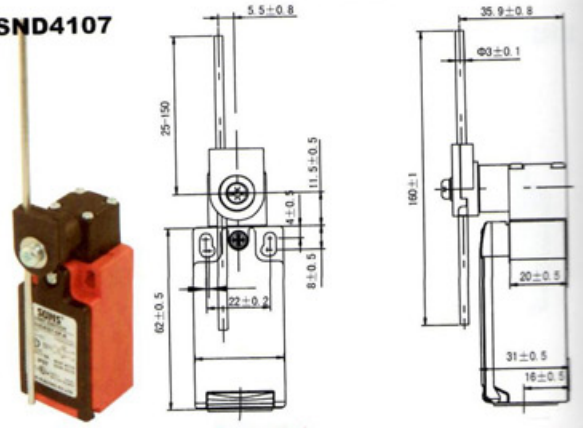
GLOBAL STYLE SAFETY LIMIT SWITCHES (PLASTIC BODIED EN50047 TYPE) SND4 SERIES (SINGLE CONDUIT ENTRY)

SND4104



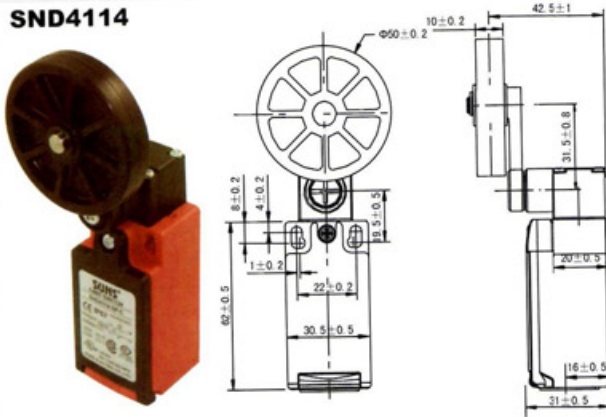
Order Code	Contact block		
SND4104-SP-__	SP	→ snap action	1NO+1NC
SND4104-SL-__	SL	→ slow action	1NO+1NC BBM
SND4104-SL1-__	SL1	→ slow action	1NO+1NC MBB
SND4104-SL2-__	SL2	→ slow action	2NC

SND4107



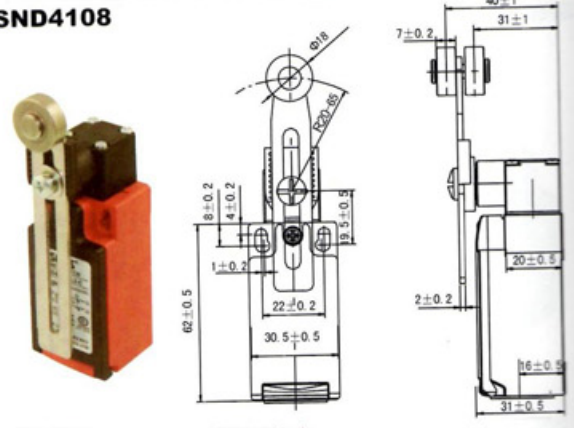
Order Code	Contact block		
SND4107-SP-__	SP	→ snap action	1NO+1NC
SND4107-SL-__	SL	→ slow action	1NO+1NC BBM
SND4107-SL1-__	SL1	→ slow action	1NO+1NC MBB
SND4107-SL2-__	SL2	→ slow action	2NC

SND4114



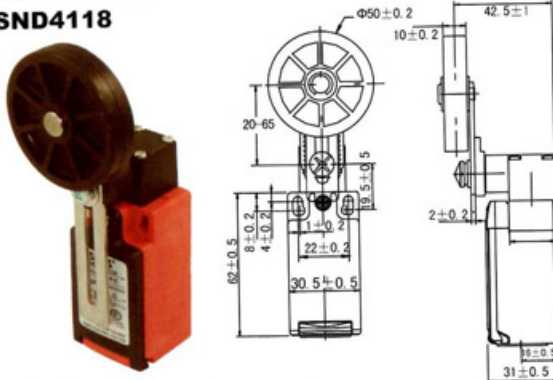
Order Code	Contact block		
SND4114-SP-__	SP	→ snap action	1NO+1NC
SND4114-SL-__	SL	→ slow action	1NO+1NC BBM
SND4114-SL1-__	SL1	→ slow action	1NO+1NC MBB
SND4114-SL2-__	SL2	→ slow action	2NC

SND4108



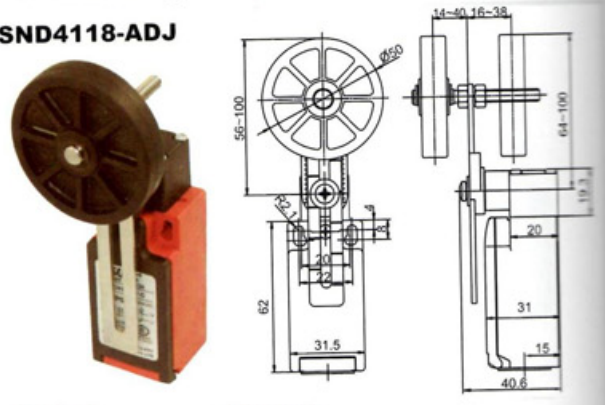
Order Code	Contact block		
SND4108-SP-__	SP	→ snap action	1NO+1NC
SND4108-SL-__	SL	→ slow action	1NO+1NC BBM
SND4108-SL1-__	SL1	→ slow action	1NO+1NC MBB
SND4108-SL2-__	SL2	→ slow action	2NC

SND4118



Order Code	Contact block		
SND4118-SP-__	SP	→ snap action	1NO+1NC
SND4118-SL-__	SL	→ slow action	1NO+1NC BBM
SND4118-SL1-__	SL1	→ slow action	1NO+1NC MBB
SND4118-SL2-__	SL2	→ slow action	2NC

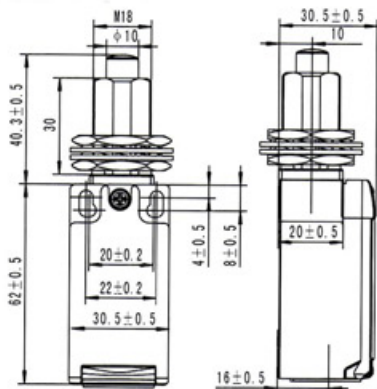
SND4118-ADJ



Order Code	Contact block		
SND4118-SP-__ADJ	SP	→ snap action	1NO+1NC
SND4118-SL-__ADJ	SL	→ slow action	1NO+1NC BBM
SND4118-SL1-__ADJ	SL1	→ slow action	1NO+1NC MBB
SND4118-SL2-__ADJ	SL2	→ slow action	2NC

GLOBAL STYLE SAFETY LIMIT SWITCHES (PLASTIC BODIED EN50047 TYPE) SND4 SERIES (SINGLE CONDUIT ENTRY)

SND4131



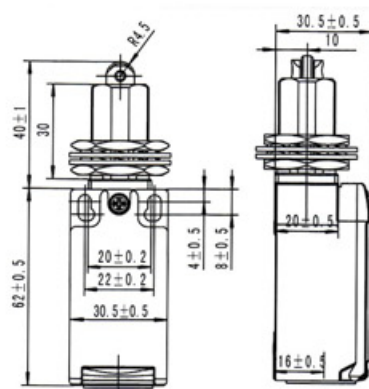
Order Code

- SND4131-SP- _
- SND4131-SL- _
- SND4131-SL1- _
- SND4131-SL2- _

Contact block

- | | | | |
|-----|---|-------------|-------------|
| SP | → | snap action | 1NO+1NC |
| SL | → | slow action | 1NO+1NC BBM |
| SL1 | → | slow action | 1NO+1NC MBB |
| SL2 | → | slow action | 2NC |

SND4132



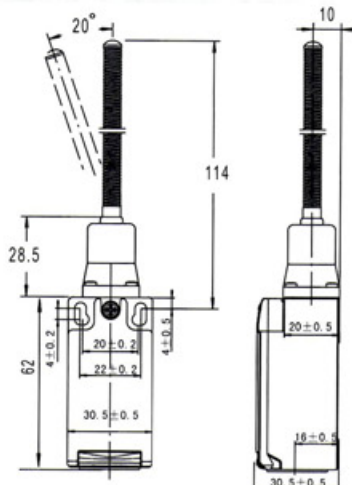
Order Code

- SND4132-SP- _
- SND4132-SL- _
- SND4132-SL1- _
- SND4132-SL2- _

Contact block

- | | | | |
|-----|---|-------------|-------------|
| SP | → | snap action | 1NO+1NC |
| SL | → | slow action | 1NO+1NC BBM |
| SL1 | → | slow action | 1NO+1NC MBB |
| SL2 | → | slow action | 2NC |

SND4100



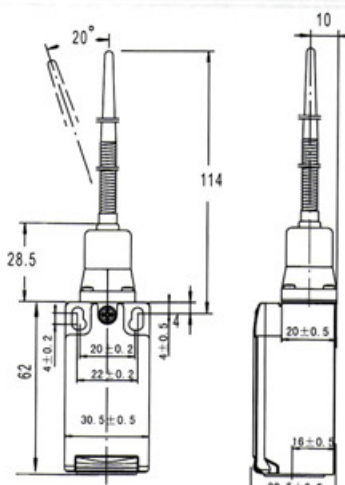
Order Code

- SND4100-SP- _

Contact block

- | | | | |
|----|---|-------------|---------|
| SP | → | snap action | 1NO+1NC |
|----|---|-------------|---------|

SND4166



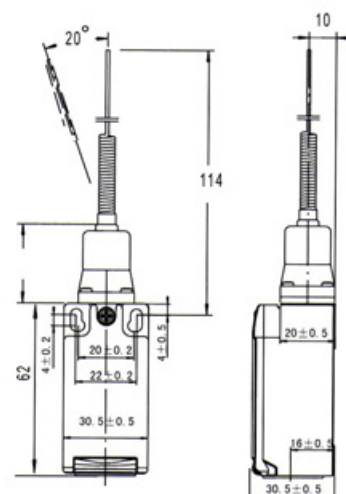
Order Code

- SND4166-SP- _

Contact block

- | | | | |
|----|---|-------------|---------|
| SP | → | snap action | 1NO+1NC |
|----|---|-------------|---------|

SND4169



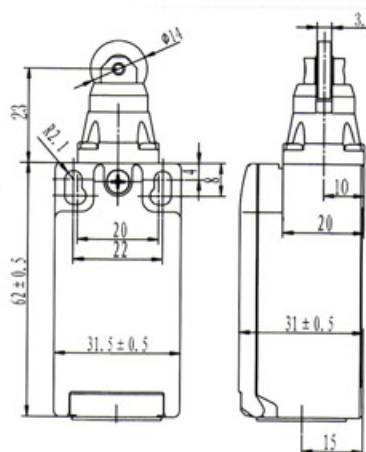
Order Code

- SND4169-SP- _

Contact block

- | | | | |
|----|---|-------------|---------|
| SP | → | snap action | 1NO+1NC |
|----|---|-------------|---------|

SND4112-L



Order Code

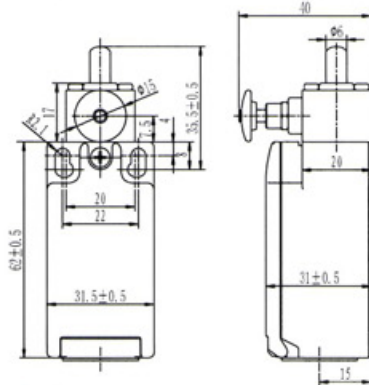
- SND4112-SP- _L
- SND4112-SL- _L
- SND4112-SL1- _L
- SND4112-SL2- _L

Contact block

- | | | | |
|-----|---|-------------|-------------|
| SP | → | snap action | 1NO+1NC |
| SL | → | slow action | 1NO+1NC BBM |
| SL1 | → | slow action | 1NO+1NC MBB |
| SL2 | → | slow action | 2NC |

GLOBAL STYLE SAFETY LIMIT SWITCHES (PLASTIC BODIED EN50047 TYPE) SND4 SERIES (SINGLE CONDUIT ENTRY WITH RESET)

SND4111-R



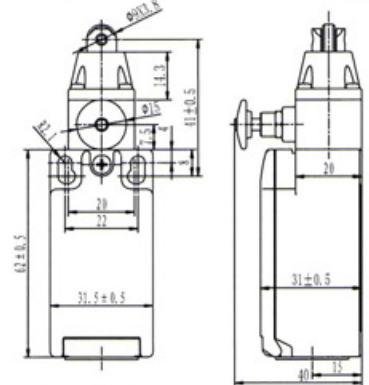
Order Code

SND4111-SP- _R
SND4111-SL- _R
SND4111-SL1- _R
SND4111-SL2- _R

Contact block

SP → snap action 1NO+1NC
SL → slow action 1NO+1NC BBM
SL1 → slow action 1NO+1NC MBB
SL2 → slow action 2NC

SND4112-R



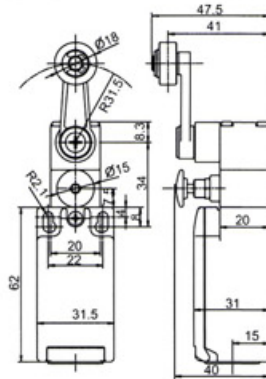
Order Code

SND4112-SP- _R
SND4112-SL- _R
SND4112-SL1- _R
SND4112-SL2- _R

Contact block

SP → snap action 1NO+1NC
SL → slow action 1NO+1NC BBM
SL1 → slow action 1NO+1NC MBB
SL2 → slow action 2NC

SND4104-R



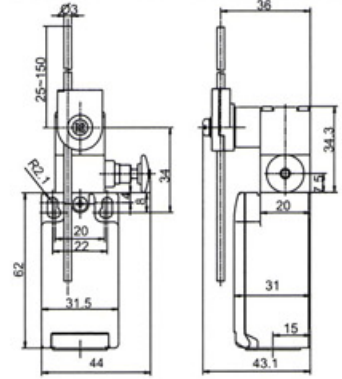
Order Code

SND4104-SP- _R
SND4104-SL- _R
SND4104-SL1- _R
SND4104-SL2- _R

Contact block

SP → snap action 1NO+1NC
SL → slow action 1NO+1NC BBM
SL1 → slow action 1NO+1NC MBB
SL2 → slow action 2NC

SND4107-R



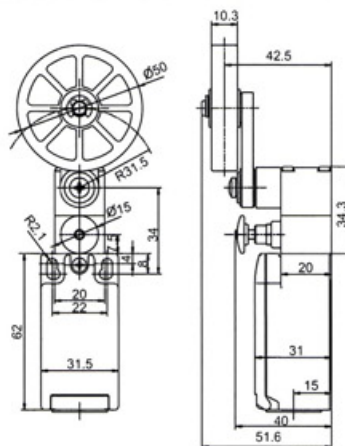
Order Code

SND4107-SP- _R
SND4107-SL- _R
SND4107-SL1- _R
SND4107-SL2- _R

Contact block

SP → snap action 1NO+1NC
SL → slow action 1NO+1NC BBM
SL1 → slow action 1NO+1NC MBB
SL2 → slow action 2NC

SND4114-R



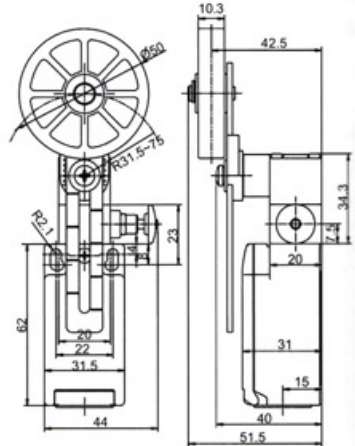
Order Code

SND4114-SP- _R
SND4114-SL- _R
SND4114-SL1- _R
SND4114-SL2- _R

Contact block

SP → snap action 1NO+1NC
SL → slow action 1NO+1NC BBM
SL1 → slow action 1NO+1NC MBB
SL2 → slow action 2NC

SND4118-R



Order Code

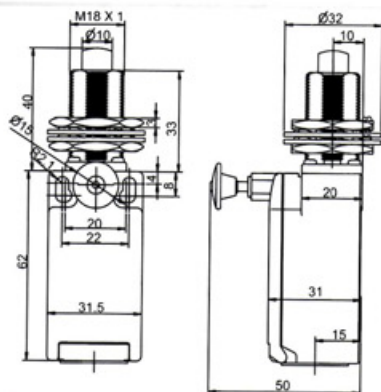
SND4118-SP- _R
SND4118-SL- _R
SND4118-SL1- _R
SND4118-SL2- _R

Contact block

SP → snap action 1NO+1NC
SL → slow action 1NO+1NC BBM
SL1 → slow action 1NO+1NC MBB
SL2 → slow action 2NC

GLOBAL STYLE SAFETY LIMIT SWITCHES (PLASTIC BODIED EN50047 TYPE) SND4 SERIES (SINGLE CONDUIT ENTRY WITH RESET)

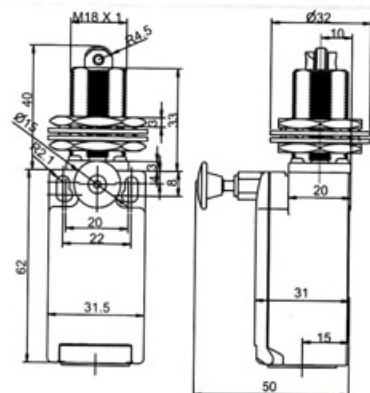
SND4131-R



Order Code

SND4131-SP-_R	SP	⊕	snap action	1NO+1NC
SND4131-SL-_R	SL	⊕	slow action	1NO+1NC BBM
SND4131-SL1-_R	SL1	⊕	slow action	1NO+1NC MBB
SND4131-SL2-_R	SL2	⊕	slow action	2NC

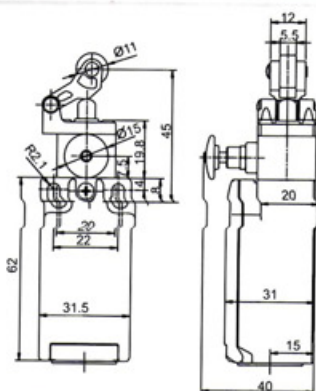
SND4132-R



Order Code

SND4132-SP-_R	SP	⊕	snap action	1NO+1NC
SND4132-SL-_R	SL	⊕	slow action	1NO+1NC BBM
SND4132-SL1-_R	SL1	⊕	slow action	1NO+1NC MBB
SND4132-SL2-_R	SL2	⊕	slow action	2NC

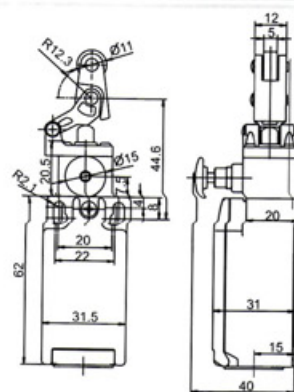
SND4162-R



Order Code

SND4162-SP-_R	SP	⊕	snap action	1NO+1NC
SND4162-SL-_R	SL	⊕	slow action	1NO+1NC BBM
SND4162-SL1-_R	SL1	⊕	slow action	1NO+1NC MBB
SND4162-SL2-_R	SL2	⊕	slow action	2NC

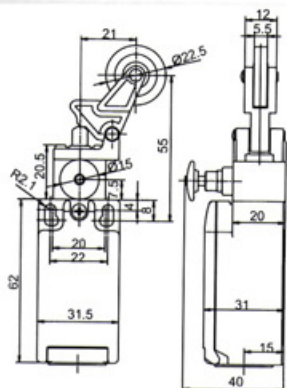
SND4163-R



Order Code

SND4163-SP-_R	SP	⊕	snap action	1NO+1NC
SND4163-SL-_R	SL	⊕	slow action	1NO+1NC BBM
SND4163-SL1-_R	SL1	⊕	slow action	1NO+1NC MBB
SND4163-SL2-_R	SL2	⊕	slow action	2NC

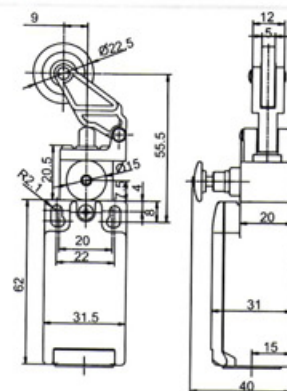
SND4172-R



Order Code

SND4172-SP-_R	SP	⊕	snap action	1NO+1NC
SND4172-SL-_R	SL	⊕	slow action	1NO+1NC BBM
SND4172-SL1-_R	SL1	⊕	slow action	1NO+1NC MBB
SND4172-SL2-_R	SL2	⊕	slow action	2NC

SND4173-R



Order Code

SND4173-SP-_R	SP	⊕	snap action	1NO+1NC
SND4173-SL-_R	SL	⊕	slow action	1NO+1NC BBM
SND4173-SL1-_R	SL1	⊕	slow action	1NO+1NC MBB
SND4173-SL2-_R	SL2	⊕	slow action	2NC