

Miniature Basic Switch V Series



Ordering Code:

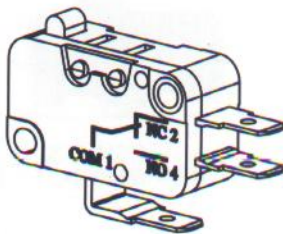
V-	15	-	G	-		-		-			
	10	10 A	G	Standard	none	Pin plunger	none	50g	Internal/far from plunger	none	3.1mm
	15	15 A	H	High temp.	1	Short hinge lever	1	25g	Internal/near plunger	T	
					2	Hinge lever	2	100g	External/far from plunger	M	
					3	Long hinge lever	3	125g	External/near plunger	K	
					4	Simulated roller lever	4	200g			
					5	Short hinge roller lever	5	300g			
					6	Hinge roller lever	6	400g			

Specifications

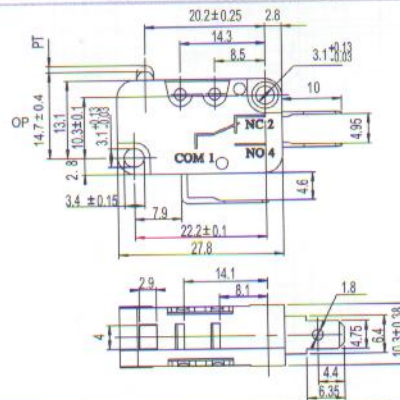
Operating Speed	0.1 mm to 1 m/s (plunger models without levers)	
Operating Frequency	Mechanical	600 ops/min
	Electrical	60 ops/min
Service Life	Mechanically	1.0 x 10 ⁷ (operations)
	Electrically	V-10: 200,000 operation min. V-15: 100,000 operation min.
Rated Voltage/Current	V-10 series	10A 1/2HP 125/250AV
	V-15 series	15A 1/2HP 125/250AV
Operating Temperature	Standard	-40~+85°C
	High temperature	-40~+150°C
Dielectric Strength	1,000 VAC, 50/60 Hz for 1 min between terminals of the same polarity 2,000 VAC, 50/60 Hz for 1 min between current-carrying metal parts and ground, and between each terminal and non-current-carrying metal parts	
Insulation Resistance	100MΩ min. (at 500 VDC)	
Contact Resistance	30mΩ max (initial values)	
Degree of Protection	IEC IP00	

Definitions of Operating Characteristics

- OF Operating Force
- RF Releasing Force
- OT Overtravel
- TT Total Travel
- PT Pretravel
- MD Movement Differential
- OP Operating Position

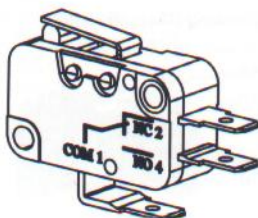


V-15G

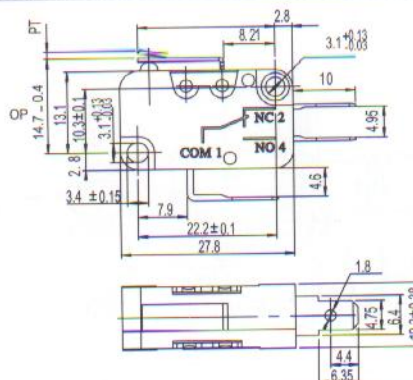


Operating Characteristics

- OF (Max) 25/ 50/ 100/ 125/ 200/ 300/ 400g
- RF (Min) 8.4/ 16/ 33/ 42/ 66/ 100/ 133g
- PT (Max) 1.19 mm
- OT (Min) 1.27 mm
- MD (Max) 0.25 mm
- OP 14.7 ± 0.4 mm



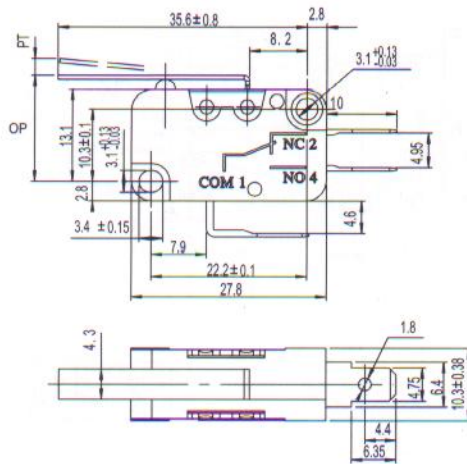
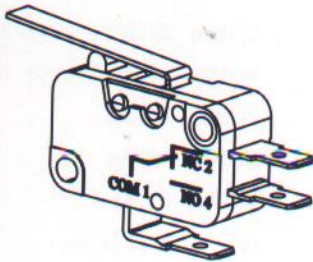
V-15G1



Operating Characteristics

- OF (Max) 25/ 50/ 100/ 125/ 200/ 300/ 400g
- RF (Min) 8.4/ 16/ 33/ 42/ 66/ 100/ 133g
- PT (Max) 1.57 mm
- OT (Min) 1.27 mm
- MD (Max) 1.41 mm
- OP 15.2 ± 0.5 mm

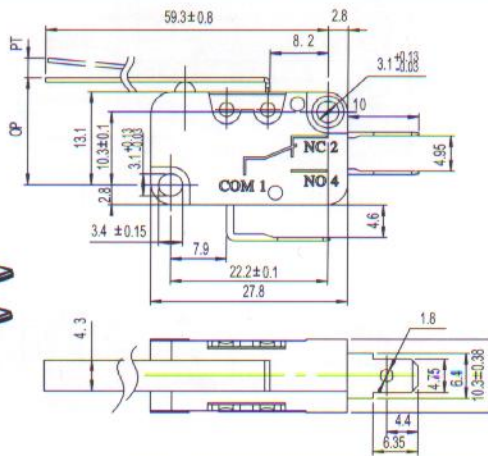
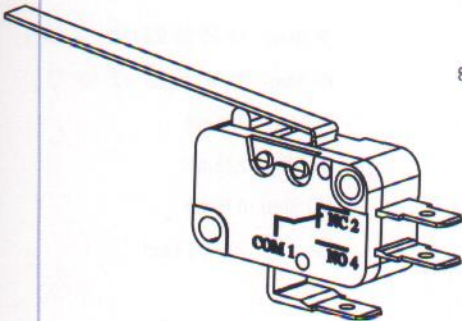
Miniature Basic Switch V Series



Operating Characteristics

OF (Max)	13/ 25/ 50/ 65/ 100/ 150/ 200g
RF (Min)	4/ 8/ 16/ 22/ 33/ 50/ 67 g
PT (Max)	3.18 mm
OT (Min)	2.16 mm
MD (Max)	0.76 mm
OP	15.2 ± 1.2 mm

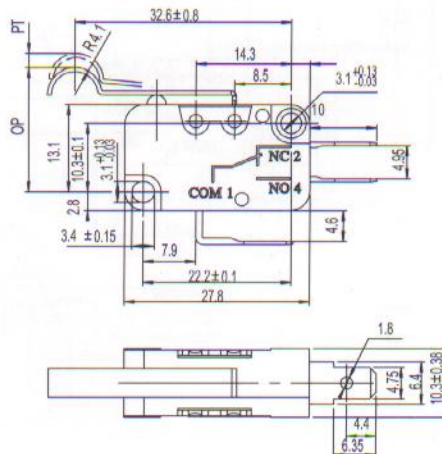
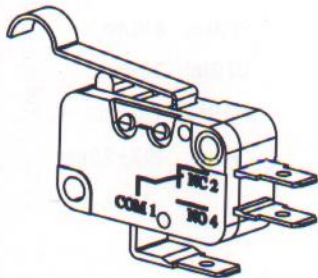
V-15G2



Operating Characteristics

OF (Max)	7/ 14/ 28/ 36/ 57/ 86/ 115g
RF (Min)	2.5/ 4.5/ 9.5/ 12/ 19/ 28/ 38g
PT (Max)	5.59 mm
OT (Min)	3.3 mm
MD (Max)	1.27 mm
OP	15.2 ± 2.6 mm

V-15G3

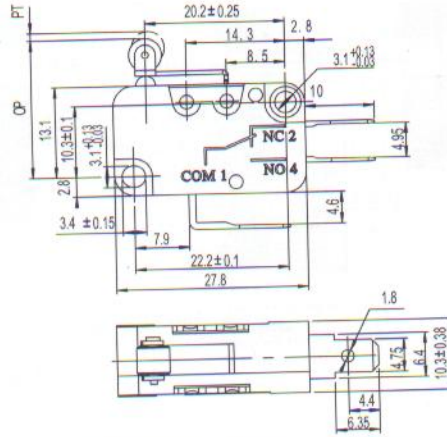
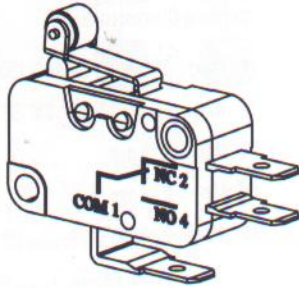


Operating Characteristics

OF (Max)	13/ 25/ 50/ 65/ 100/ 150/ 200g
RF (Min)	4/ 8/ 16/ 22/ 33/ 50/ 67 g
PT (Max)	3.3 mm
OT (Min)	2.3 mm
MD (Max)	0.5 mm
OP	18.7 ± 1.2 mm

V-15G4

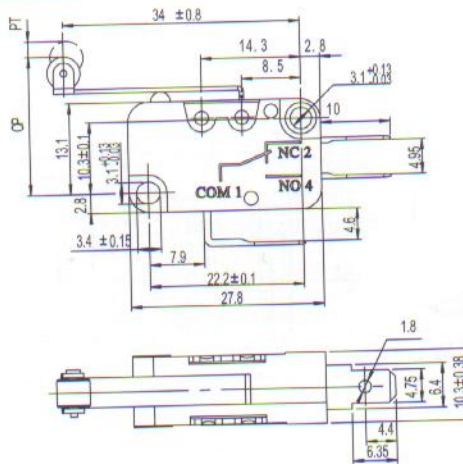
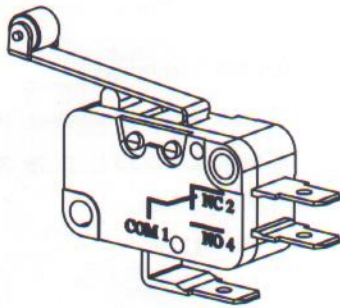
Miniature Basic Switch V Series



Operating Characteristics

OF (Max)	25/ 50/ 100/ 125/ 200/ 300/ 400g
RF (Min)	8.5/ 16/ 33/ 42/ 66/ 100/ 133g
PT (Max)	1.19 mm
OT (Min)	1.02 mm
MD (Max)	0.25 mm
OP	20.7 ± 0.6 mm

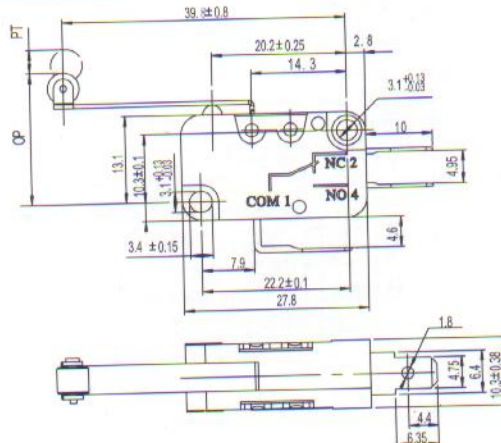
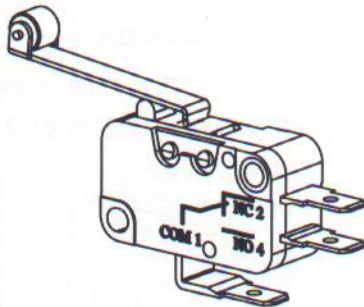
V-15G5



Operating Characteristics

OF (Max)	13/ 25/ 50/ 65/ 100/ 150/ 200g
RF (Min)	4/ 8/ 16/ 22/ 33/ 50/ 67 g
PT (Max)	3.18 mm
OT (Min)	2.16 mm
MD (Max)	0.76 mm
OP	20.7 ± 1.6 mm

V-15G6



Operating Characteristics

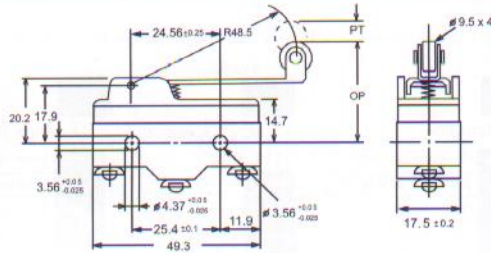
OF (Max)	10/ 20/ 38/ 50/ 77/ 115/ 154g
RF (Min)	3/ 6/ 12/ 16/ 25/ 38/ 50g
PT (Max)	5.08 mm
OT (Min)	3.05 mm
MD (Max)	1.02 mm
OP	20.7 ± 2.0 mm

V-15G6_T

GENERAL-PURPOSE MICRO SWITCHES
Z-20G, Z-25G SERIES



Z-20GW2
Z-25GW2

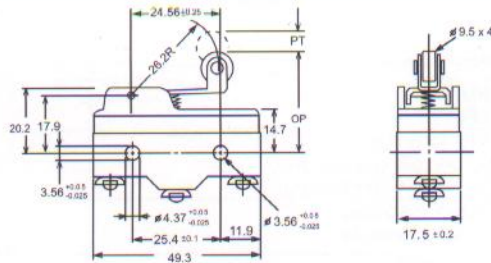


Operating Characteristics

- OF_{max} 0.97N
- RF_{min} 0.14N
- PT_{max} 11.89mm
- OT_{min} 1.52mm
- MD_{max} 2.16mm
- OP 30±0.76mm



Z-20GW22
Z-25GW22

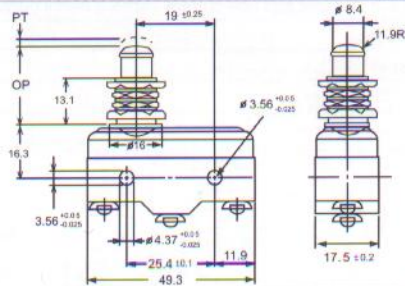


Operating Characteristics

- OF_{max} 1.67N
- RF_{min} 0.42N
- PT_{max} 6.35mm
- OT_{min} 0.76mm
- MD_{max} 1.14mm
- OP 29.77±0.76mm



Z-20GQ
Z-25GQ

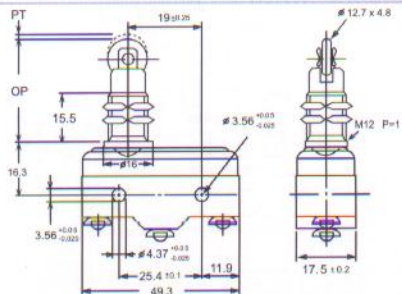


Operating Characteristics

- OF_{max} 2.78–6.12N
- RF_{min} 2.78N
- PT_{max} 1.27mm
- OT_{min} 5.56mm
- MD_{max} 0.05–0.19mm
- OP 21.8±0.8mm



Z-20GQ22
Z-25GQ22

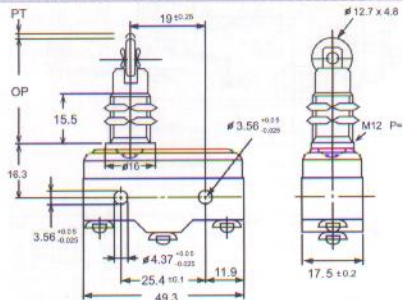


Operating Characteristics

- OF_{max} 2.78–6.12N
- RF_{min} 2.78N
- PT_{max} 1.27mm
- OT_{min} 3.58mm
- MD_{max} 0.05–0.19mm
- OP 33.4±1.2mm



Z-20GQ21
Z-25GQ21



Operating Characteristics

- OF_{max} 2.78–6.12N
- RF_{min} 2.78N
- PT_{max} 1.27mm
- OT_{min} 3.58mm
- MD_{max} 0.05–0.19mm
- OP 33.4±1.2mm