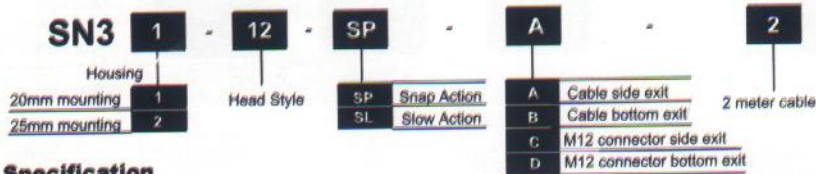


COMPACT LIMIT SWITCHES SN31 SERIES (20mm) and SN32 SERIES (25mm)

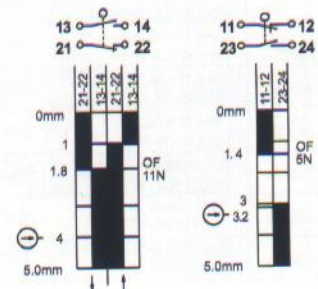


Specification

Operating Speed	0.05mm-2m/sec
Operating Frequency	Mechanical: 120ops/min Electrical: 30 ops/min
Insulation Resistance	>100MΩ@500V DC
Contact Resistance	<25mΩ
Rated Voltage	300V AC (EN60947-5-1)
Rated Thermal Current	10A
Electrical Rating	AC15 A300 DC13 Q300
Dielectric Strength	1000VAC for 1 min between current carrying parts 2500VAC for 1 min between non-current carrying parts
Service Life	Mechanically 1.0 x 10 ⁷ (operations) Electrically 5 x 10 ⁵ (operations)
Operating Temperature	-25~+85°C without formation of ice
Humidity	< 95%RH
Cable	5 core, 0.75mm ²
Degree of Protection	IP67

Electrical Ratings

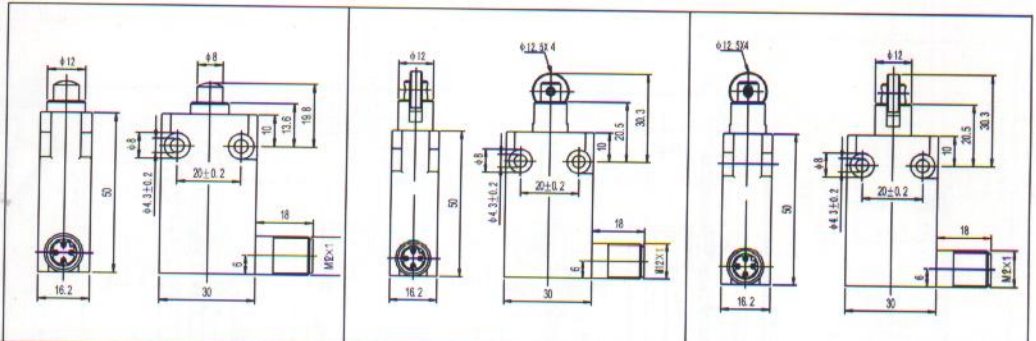
Designation & Utilization Category	IEC 947-5-1 / EN 90947-5-1						VA rating	
	Rated operational current Ie (A) at rated operational voltage Ue						Make	Break
	120V	240V	380V	480V	500V	600V		
AC15 A300	6	3	-	-	-	-	7200	720
DC13 Q300	125VDC 250VDC						69	69
	0.55	0.27						



COMPACT LIMIT SWITCHES SN31 SERIES (20mm)



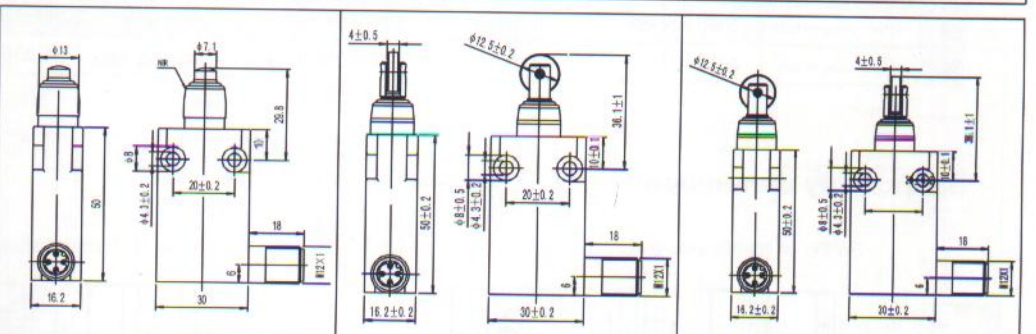
SN31 series



Contact block Zb

SP	⊕ snap action	SN3101-SP	1NO+1NC	SN3112-SP	1NO+1NC	SN3122-SP	1NO+1NC
SL	⊕ slow action	SN3101-SL	1NO+1NC BBM	SN3112-SL	1NO+1NC BBM	SN3122-SL	1NO+1NC BBM

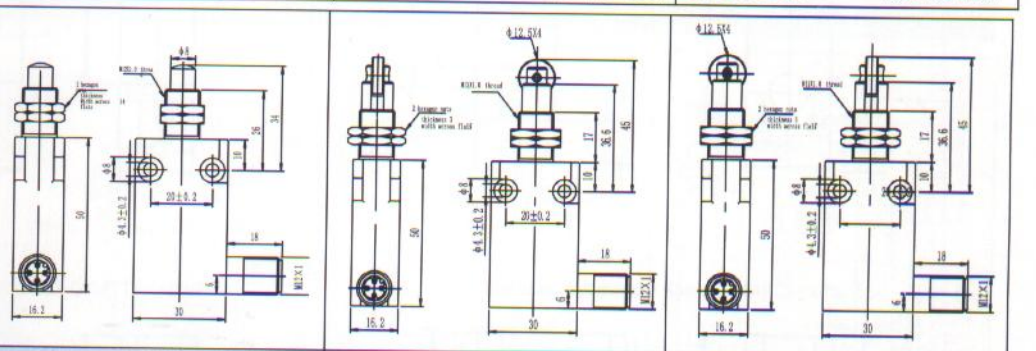
SN31 series



Contact block Zb

SP	⊕ snap action	SN3111-SP	1NO+1NC	SN3102-SP	1NO+1NC	SN3103-SP	1NO+1NC
SL	⊕ slow action	SN3111-SL	1NO+1NC BBM	SN3102-SL	1NO+1NC BBM	SN3103-SL	1NO+1NC BBM

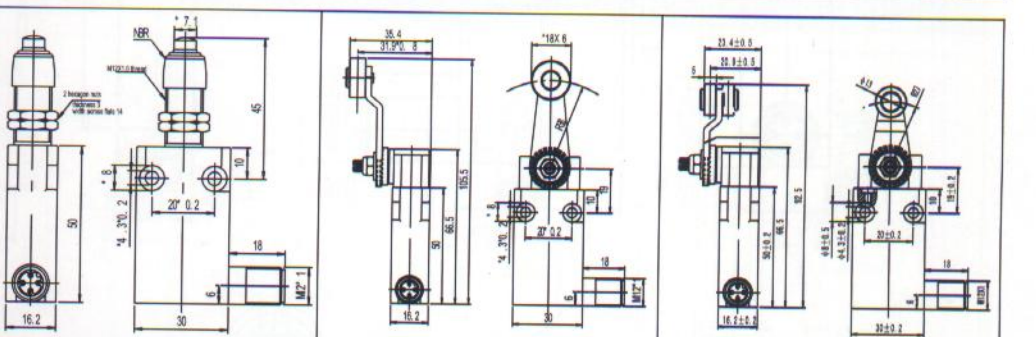
SN31 series



Contact block Zb

SP	⊕ snap action	SN3121-SP	1NO+1NC	SN3132-SP	1NO+1NC	SN3142-SP	1NO+1NC
SL	⊕ slow action	SN3121-SL	1NO+1NC BBM	SN3132-SL	1NO+1NC BBM	SN3142-SL	1NO+1NC BBM

SN31 series



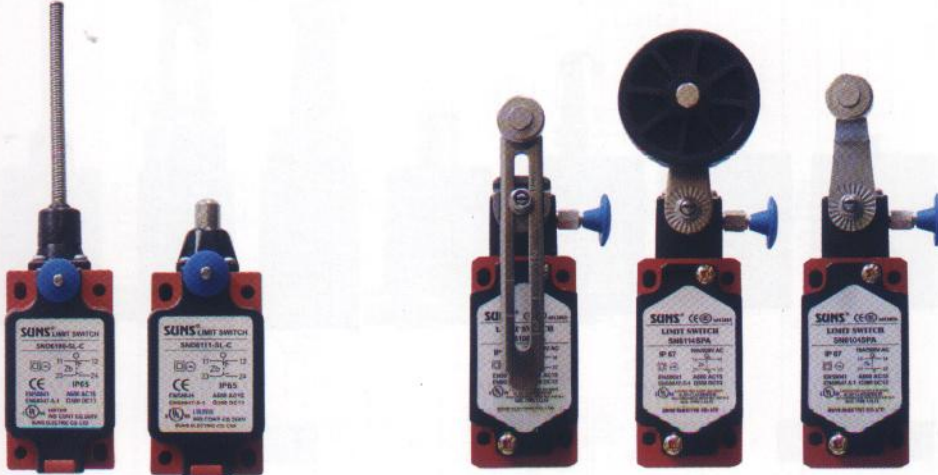
Contact block Zb

SP	⊕ snap action	SN3131-SP	1NO+1NC	SN3104-SP	1NO+1NC	SN3104-SP-S	1NO+1NC
SL	⊕ slow action	SN3131-SL	1NO+1NC BBM	SN3104-SL	1NO+1NC BBM	SN3104-SL-S	1NO+1NC BBM

GLOBAL STYLE LIMIT SWITCHES (EN50041 TYPE) with RESET

SN6 SERIES (METAL BODIED)

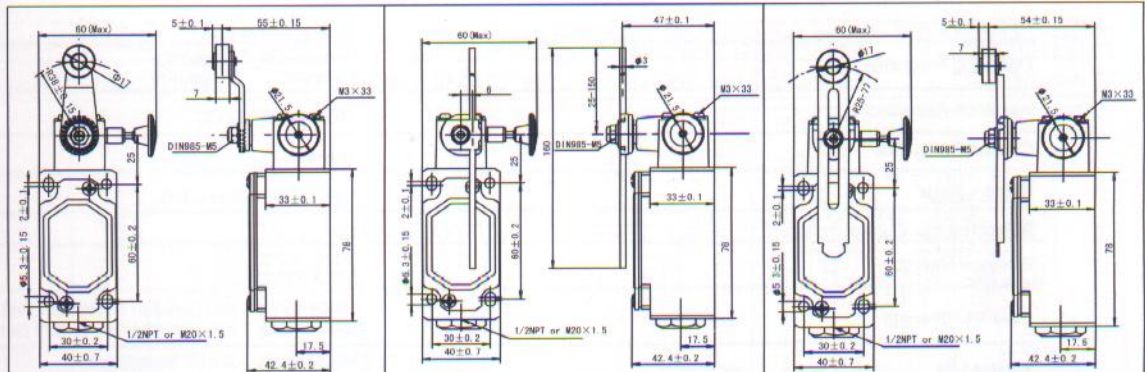
SND6 SERIES (PLASTIC BODIED, METAL HEADS)



metal housing
SN6 Series

Plastic housing
SND6 Series

Add suffix:
A: for 1/2NPT
B: for PG13.5
C: for M20



Contact block Zb

SP	⊕	snap action	SN6104-SP- SND6104-SP- 1NO+1NC	SN6107-SP- SND6107-SP- 1NO+1NC	SN6108-SP- SND6108-SP- 1NO+1NC
SL	⊕	slow action	SN6104-SL- SND6104-SL- 1NO+1NC BBM	SN6107-SL- SND6107-SL- 1NO+1NC BBM	SN6108-SL- SND6108-SL- 1NO+1NC BBM
SL1	⊕	slow action	SN6104-SL1- SND6104-SL1- 1NO+1NC MBB	SN6107-SL1- SND6107-SL1- 1NO+1NC MBB	SN6108-SL1- SND6108-SL1- 1NO+1NC MBB
SL2	⊕	slow action	SN6104-SL2- SND6104-SL2- 2NC	SN6107-SL2- SND6107-SL2- 2NC	SN6108-SL2- SND6108-SL2- 2NC
SL3		slow action	SN6104-SL3- SND6104-SL3- 2NO	SN6107-SL3- SND6107-SL3- 2NO	SN6108-SL3- SND6108-SL3- 2NO
SL4	⊕	slow action	SN6104-SL4- SND6104-SL4- 3NC	SN6107-SL4- SND6107-SL4- 3NC	SN6108-SL4- SND6108-SL4- 3NC
SL5		slow action	SN6104-SL5- SND6104-SL5- 3NO	SN6107-SL5- SND6107-SL5- 3NO	SN6108-SL5- SND6108-SL5- 3NO
SL6	⊕	slow action	SN6104-SL6- SND6104-SL6- 2NC+1NO BBM	SN6107-SL6- SND6107-SL6- 2NC+1NO BBM	SN6108-SL6- SND6108-SL6- 2NC+1NO BBM
SL7	⊕	slow action	SN6104-SL7- SND6104-SL7- 2NC+1NO MBB	SN6107-SL7- SND6107-SL7- 2NC+1NO MBB	SN6108-SL7- SND6108-SL7- 2NC+1NO MBB
SL8	⊕	slow action	SN6104-SL8- SND6104-SL8- 1NC+2NO BBM	SN6107-SL8- SND6107-SL8- 1NC+2NO BBM	SN6108-SL8- SND6108-SL8- 1NC+2NO BBM
SL9	⊕	slow action	SN6104-SL9- SND6104-SL9- 1NC+2NO MBB	SN6107-SL9- SND6107-SL9- 1NC+2NO MBB	SN6108-SL9- SND6108-SL9- 1NC+2NO MBB