






## COMPACT LIMIT SWITCHES: AZ-8 SERIES

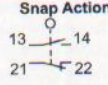




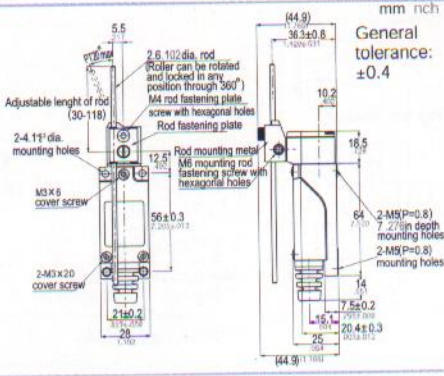
General tolerance:  $\pm 0.4$

Operating Characteristics

**Snap Action**



OF<sub>max</sub> 1.99~7.84N(203~800gf)  
 RF<sub>min</sub> 0.12~0.49N  
 PT<sub>max</sub> 20°  
 OT<sub>min</sub> 75°  
 MD<sub>max</sub> 10°  
 TT 95°



mm inch

Adjustable length of rod (30-118)

2.6 102 dia. rod (Roller can be rotated and locked in any position through 360°)

M4 rod fastening plate screw with hexagonal holes

Rod fastening plate

2-4.11" dia. mounting holes

M3 x 6 cover screw

2-M3 x 20 cover screw

56 ± 0.3 (2.205 ± 0.012)

12.5 dia. 3.8 stainless steel roller (PT 1.5max)

7" dia. mounting holes

M3 x 6 cover screw

2-M3 x 20 cover screw

21 ± 0.2 (8.271 ± 0.008)

26

1.102

10.2 (0.402)

36.3 ± 0.8 (1.429 ± 0.031)

10.2 (0.402)

16.5 (0.650)

64 (2.520)

2-M5 (P=0.8) 7.276 in depth mounting holes

2-M5 (P=0.8) mounting holes

14 (0.551)

7.5 ± 0.2 (0.295 ± 0.008)


15.1 (0.594)

20.4 ± 0.3 (0.803 ± 0.012)

25 (0.984)

44.9 (1.768)

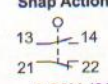
**AZ-8107**



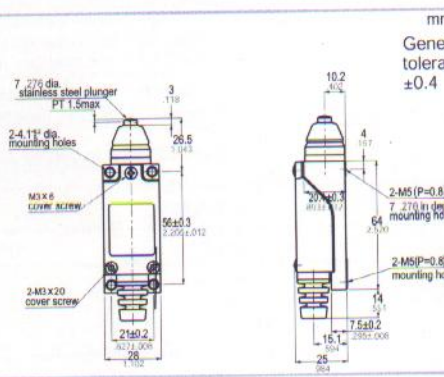
General tolerance:  $\pm 0.4$

Operating Characteristics

**Snap Action**



OF<sub>max</sub> 8.82N (900gf)  
 RF<sub>min</sub> 1.47N  
 PT<sub>max</sub> 1.5mm  
 OT<sub>min</sub> 4mm  
 MD<sub>max</sub> 0.7mm  
 TT 5.5mm



mm inch

General tolerance:  $\pm 0.4$

7.276 dia. stainless steel plunger (PT 1.5max)

3 (0.118)

26.5 (1.043)

2-4.11" dia. mounting holes

M3 x 6 cover screw

2-M3 x 20 cover screw

56 ± 0.3 (2.205 ± 0.012)

21 ± 0.2 (8.271 ± 0.008)

26

1.102

10.2 (0.402)

4 (0.157)

20.4 ± 0.3 (0.803 ± 0.012)

64 (2.520)

2-M5 (P=0.8) tapped 7.276 in depth mounting holes

2-M5 (P=0.8) tapped mounting holes


14 (0.551)

7.5 ± 0.2 (0.295 ± 0.008)

15.1 (0.594)

25 (0.984)

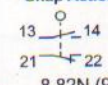
**AZ-8111**



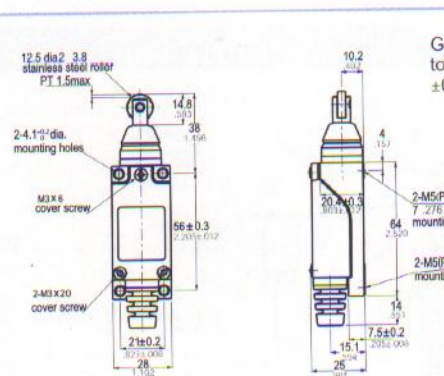
General tolerance:  $\pm 0.4$

Operating Characteristics

**Snap Action**



OF<sub>max</sub> 8.82N (900gf)  
 RF<sub>min</sub> 1.47N  
 PT<sub>max</sub> 1.5mm  
 OT<sub>min</sub> 4mm  
 MD<sub>max</sub> 0.7mm  
 TT 5.5mm



mm inch

General tolerance:  $\pm 0.4$

12.5 dia 2. 3.8 stainless steel roller (PT 1.5max)

14.8 (0.583)

38 (1.500)

2-4.11" dia. mounting holes

M3 x 6 cover screw

2-M3 x 20 cover screw

56 ± 0.3 (2.205 ± 0.012)

21 ± 0.2 (8.271 ± 0.008)

26

1.102

10.2 (0.402)

4 (0.157)

20.4 ± 0.3 (0.803 ± 0.012)

64 (2.520)

2-M5 (P=0.8) tapped 7.276 in depth mounting holes

2-M5 (P=0.8) tapped mounting holes


14 (0.551)

7.5 ± 0.2 (0.295 ± 0.008)

15.1 (0.594)

25 (0.984)

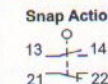
**AZ-8112**



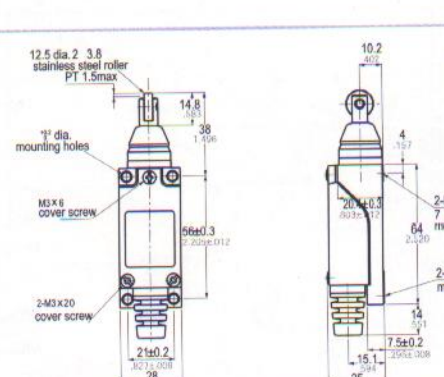
General tolerance:  $\pm 0.4$

Operating Characteristics

**Snap Action**



OF<sub>max</sub> 8.82N (900gf)  
 RF<sub>min</sub> 1.47N  
 PT<sub>max</sub> 1.5mm  
 OT<sub>min</sub> 4mm  
 MD<sub>max</sub> 0.7mm  
 TT 5.5mm



mm inch

General tolerance:  $\pm 0.4$

12.5 dia 2. 3.8 stainless steel roller (PT 1.5max)

14.8 (0.583)

38 (1.500)

7" dia. mounting holes

M3 x 6 cover screw

2-M3 x 20 cover screw

56 ± 0.3 (2.205 ± 0.012)

21 ± 0.2 (8.271 ± 0.008)

26

1.102

10.2 (0.402)

4 (0.157)

20.4 ± 0.3 (0.803 ± 0.012)

64 (2.520)

2-M5 (P=0.8) tapped 7.276 in depth mounting holes

2-M5 (P=0.8) tapped mounting holes

14 (0.551)

7.5 ± 0.2 (0.295 ± 0.008)

15.1 (0.594)

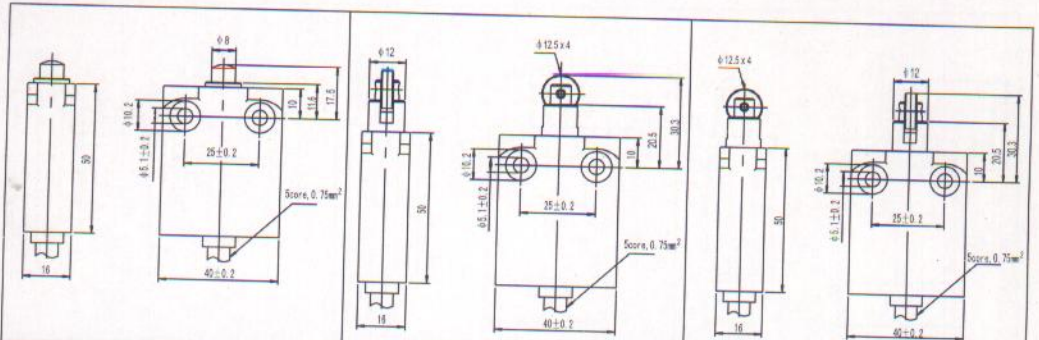
25 (0.984)

**AZ-8122**

COMPACT LIMIT SWITCHES SN32 SERIES (25mm)

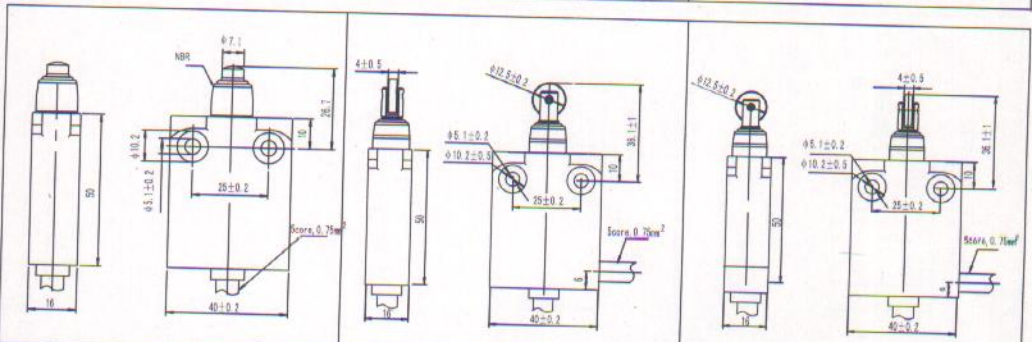


SN32 series



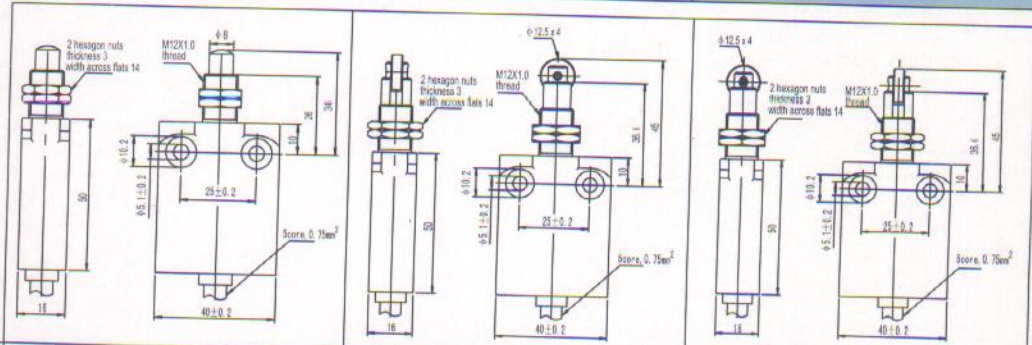
Contact block Zb					
SP	⊕ snap action	SN3201-SP	1NO+1NC	SN3212-SP	1NO+1NC
SL	⊕ slow action	SN3201-SL	1NO+1NC BBM	SN3212-SL	1NO+1NC BBM
				SN3222-SP	1NO+1NC
				SN3222-SL	1NO+1NC BBM

SN32 series



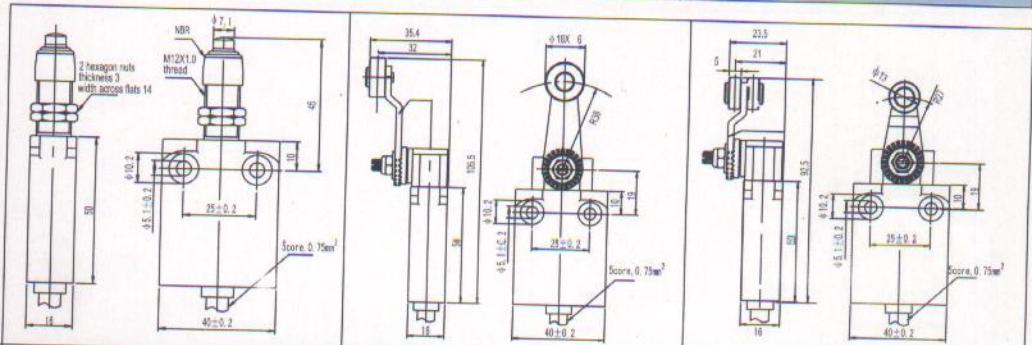
Contact block Zb					
SP	⊕ snap action	SN3211-SP	1NO+1NC	SN3202-SP	1NO+1NC
SL	⊕ slow action	SN3211-SL	1NO+1NC BBM	SN3202-SL	1NO+1NC BBM
				SN3203-SP	1NO+1NC
				SN3203-SL	1NO+1NC BBM

SN32 series



Contact block Zb					
SP	⊕ snap action	SN3221-SP	1NO+1NC	SN3232-SP	1NO+1NC
SL	⊕ slow action	SN3221-SL	1NO+1NC BBM	SN3232-SL	1NO+1NC BBM
				SN3242-SP	1NO+1NC
				SN3242-SL	1NO+1NC BBM

SN32 series



Contact block Zb					
SP	⊕ snap action	SN3231-SP	1NO+1NC	SN3204-SP	1NO+1NC
SL	⊕ slow action	SN3231-SL	1NO+1NC BBM	SN3204-SL	1NO+1NC BBM
				SN3204-SP-S	1NO+1NC
				SN3204-SL-S	1NO+1NC BBM