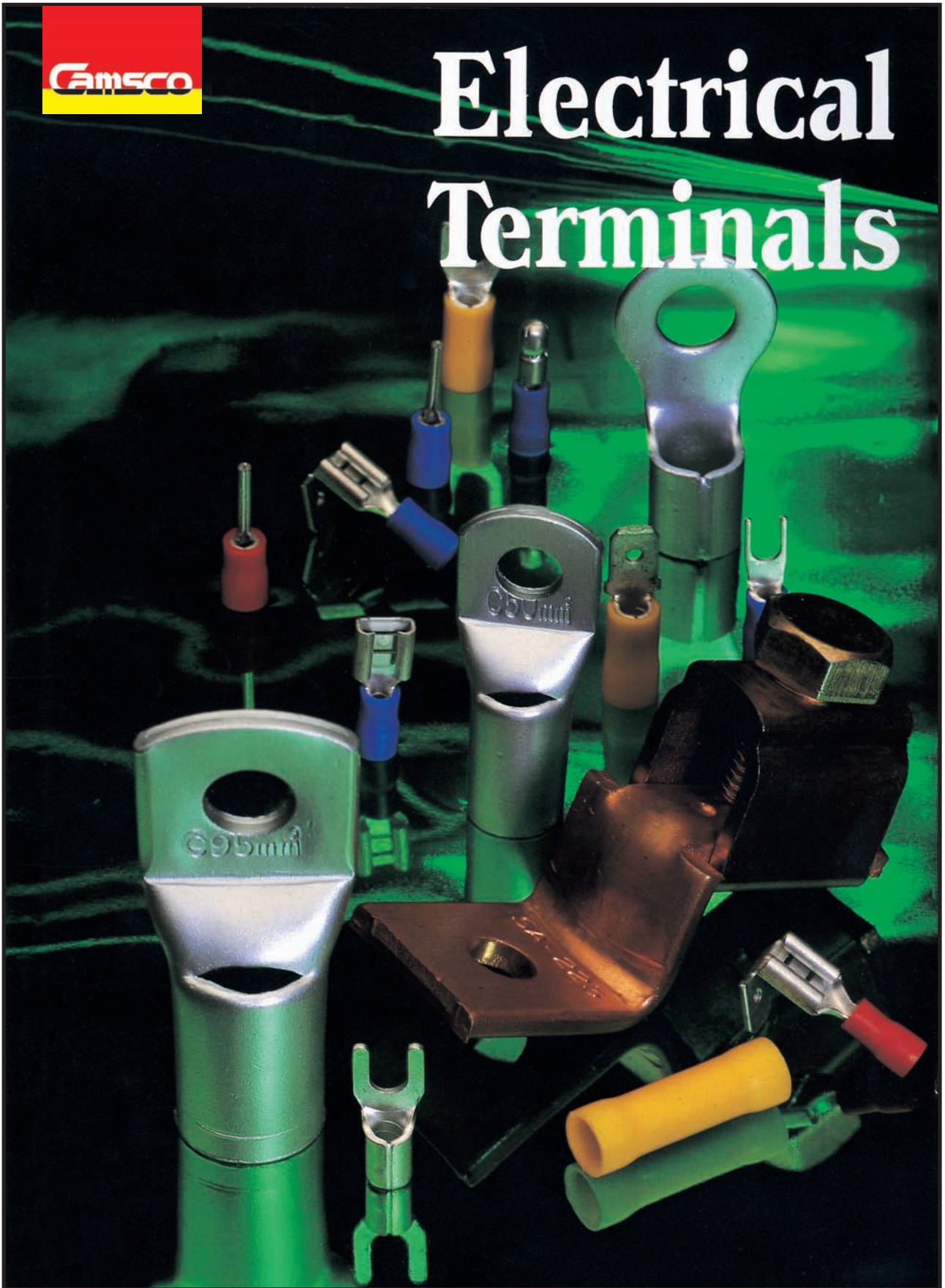


CamSCO

Electrical Terminals





Insulated Terminals

ITEM NO.	AWG 22-16 DIN 0.5-1	STUD SIZE	ITEM NO.	AWG 16-14 DIN 1.5-2.5	STUD SIZE
RING TERMINALS			RING TERMINALS		
VF 1.25-3		#6/3.7mm	VF 2-3		#6/3.7mm
VF-1.25-3S		#4/3.2mm	VF 2-3S		#4/3.2mm
VF-1.25-4		#8/4.3mm	VF 2-4		#8/4.3mm
VF-1.25-5		#10/5.3mm	VF 2-5		#10/5.3mm
VF-1.25-6		#1/4"/6.4mm	VF 2-6		#1/4"/6.4mm
VF-1.25-8		#5/16"/8.4mm	VF 2-8		#5/16"/8.4mm
FORKED SPADE			FORKED SPADE		
VF-1.25-3Y		#6/3.7mm	VF 2-3Y		#6/3.7mm
VF-1.25-4Y		#8/4.3mm	VF 2-4Y		#8/4.3mm
VF-1.25-5Y		#10/4.3mm	VF-25Y		#10/5.3mm
VF-1.25-6Y		#1/4"/6.4mm	VF 2-6Y		#1/4"/6.4mm
MALE DISCONNECTORS			MALE DISCONNECTORS		
3110A		TAB 2.8mm	3120A		TAB 2.8mm
4110A		TAB 4.8mm	4120A		TAB 4.8mm
5110A		TAB 6.4mm	5120A		TAB 6.4mm
FEMALE DISCONNECTORS			FEMALE DISCONNECTORS		
3110B		TAB 2.8mm	3120B		TAB 2.8mm
4110B		TAB 4.8mm	4120B		TAB 4.8mm
5110B		TAB 6.4mm	5120B		TAB 6.4mm
BULLET DISCONNECTORS			BULLET DISCONNECTORS		
F1.25A		4mm BULLET	F 2A		4mm BULLET
F1.25B		4mm BULLET	F 2B		4mm BULLET
BUTT DISCONNECTORS			BUTT DISCONNECTORS		
BF-1.25			BF-2		
PIN DISCONNECTORS			PIN DISCONNECTORS		
PIN-1.25		TAB 1.9mm	PIN-2		TAB 1.9mm



Insulated Terminals

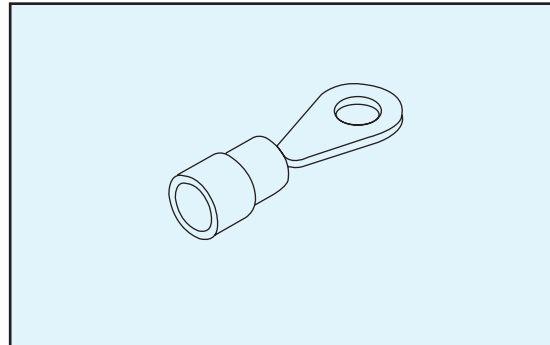
ITEM NO.	AWG 12-10 DIN 4-6	STUD SIZE	ITEM	TYPE	RANGE SIZE.
RING TERMINALS			FULL INSULATED		
VF 5.5-4		#8/4.3mm	RF250F		Wire Range 22-16 / TAB 6.4mm
VF 5.5-5		#10/5.3mm	BF250F		Wire Range 16-14 / TAB 6.4mm
VF 5.5-6		#1/4"/6.4mm			
VF 5.5-8		#5/16"/8.4mm			
VF 5.5-10		#3/8"/10.5mm			
FORKED SPADE			PIGGY BACK		
VF 5.5-4Y		#8/4.3mm	MF-1.25		Wire Range 22-16 / TAB 6.4mm
VF 5.5-5Y		#10/5.3mm	MF-2		Wire Range 16-14 / TAB 6.4mm
VF 5.5-6Y		#1/4"/6.4mm	MF5.5		Wire Range 12-10 / TAB 6.4mm
MALE DISCONNECTORS			STRIPPING QUICK SPLICE		
3150A		TAB 2.8mm	878100		
4150A		TAB 4.8mm	878101		
5150A		TAB 6.4mm	878201		
FEMALE DISCONNECTORS					
3150B		TAB 2.8mm			
4150B		TAB 4.8mm			
5150B		TAB 6.4mm			
BULLET DISCONNECTORS					
F5.5A		5mm BULLET			
F5.5B		5mm BULLET			
BUTT DISCONNECTORS					
BF-5.5					
PIN DISCONNECTORS					
PIN-5.5		TAB 2.8mm			



Insulated Terminals

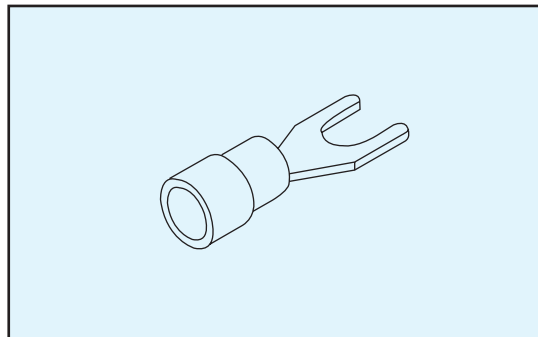
ITEM NO	WIRE RANGE	STUD SIZE
VF1.25-3M	AWG 22-16 DIN 0.5-1	3.7mm
VF1.25-4M	AWG 22-16 DIN 0.5-1	4.15mm
VF1.25-10	AWG 22-16 DIN 0.5-1	10.4mm
VF2-3M	AWG 16-14 DIN 1.5-2.5	3.65mm
VF2-4M	AWG 16-14 DIN 1.5-2.5	4.2mm
VF2-10	AWG 16-14 DIN 1.5-2.5	10.3mm
VF3.5-4	AWG 12-10 DIN 2.5-4	4.3mm
VF3.5-5	AWG 12-10 DIN 2.5-4	5.45mm

RING TERMINALS



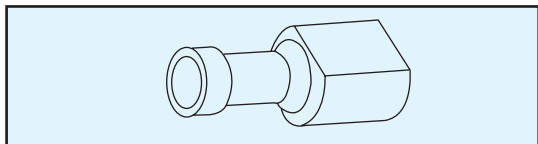
VF1.25-3SY	AWG 22-16 DIN 0.5-1	3.7mm
VF1.25-4SY	AWG 22-16 DIN 0.5-1	4.4mm
VF2-3SY	AWG 16-14 DIN 1.5-2.5	3.7mm
VF2-4SY	AWG 16-14 DIN 1.5-2.5	4.5mm
VF3.5-4Y	AWG 12-10 DIN 2.5-4	4.3mm
VF3.5-5Y	AWG 12-10 DIN 2.5-4	5.4mm
VF5.5-3SY	AWG 12-10 DIN 4-6	3.7mm

FORKED SPADE



YF-250F	AWG 12-10	TBA
	DIN 4-6	6.4 mm

FULL INSULATED



unit: mm

ITEM NO	B	F	E	φ D	WIRE RANGE COLOR
BT1-10V	2.3	10	10	4.1	22-16 AWG DIM: 0.5~1.5MM ² RED
BT1-11V	3	11	10	4.1	
BT1-14V	3	14	10	4.1	
BT1-18V	2.3	18	10	4.1	
BT2-9V	2.8	9	10	4.5	16-14 AWG DIM: 1.5~2.5MM ² BLUE
BT2-10V	2.3	10	10	4.5	
BT2-13V	2.3	13	10	4.5	
BT2-18V	2.3	18	10	4.5	
BT5-10V	2.8	10	13	6.5	12-10 AWG DIM:4~6MM ² YELLOW
BT5-18V	3	18	13	6.5	

SPADE TERMINALS

