



61F-G2 FLOATLESS LEVEL SWITCH



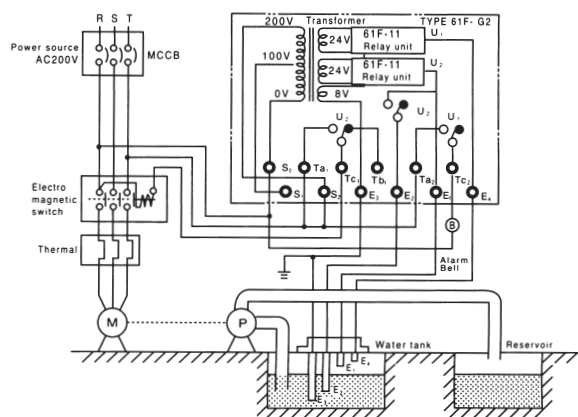
OPERATION

- ① When the liquid level in the drainage tank exceeds E_1 (high), the motor is turned on and when the level drops to E_2 (medium) it is turned off. When the liquid surface rises to E_4 (highest), an alarm is sounded warning the abnormally high level of water.
- ② Thus, the liquid level control is conducted within the range between the tips of E_1 (high), and E_2 (medium) in the water tank. Therefore, the range of control can be freely adjusted by changing the length of.
- ③ However, depending on the type of liquid and voltage variation, a slight difference is noted of the level where the pump resumes operation after the liquid level has reached the tip of the electrode.

FUNCTION

Automatic Drainage Control with Issuance of Alarm for Abnormal Water increase

EXTERNAL CONNECTION EXAMPLE



- With the power supply voltage 100V (110, 120V), the wiring is made between S0-S1 and with 200V (220, 240V) S0-S2.
- Be sure to ground terminal E3

PARTS USED FOR 61F-G2



SUS-S
connecting



PS-3S
Electrode Holder



PS-3S & SUS-A
Electrode Rod
(SUS-A)